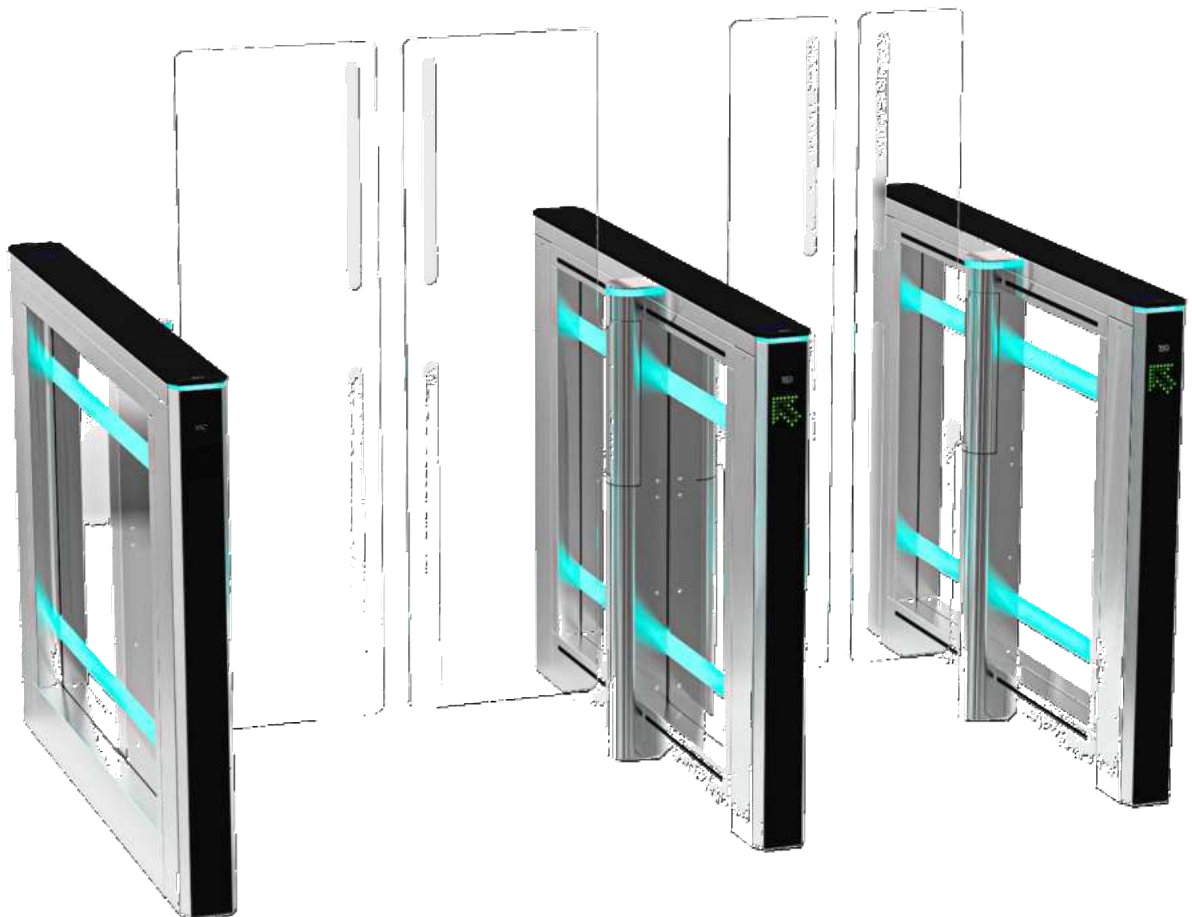




GROUP OF COMPANIES  
"TISO-PRODUCTION" LTD

## WAIST-HIGH TURNSTILES

SWEEPER-S-HG of swing lane of Speed Gate series



**CONTENTS**

INTRODUCTION ..... 3

WARNINGS TO THE CUSTOMER ON SAFE OPERATION OF THE TURNSTILE ..... 4

1. DESCRIPTION AND OPERATION ..... 5

    1.1 General Information and Purpose ..... 5

    1.2 Specifications ..... 7

    1.3 Configuration and Scope of Delivery ..... 7

    1.4 Design and operation ..... 9

    1.5 Description and operation of controllers as integral components of the turnstile ..... 12

        1.5.1 Turnstile controller AUIA.206.21.20.00 ..... 12

        1.5.2 Motor controller AUIA.401.00.00-01 ..... 15

2 INTENDED USE ..... 19

    2.1 Operation restrictions ..... 19

    2.2 Layout and installation ..... 19

    2.3 Installation procedure ..... 21

    2.4 Preparation for use ..... 26

    2.5 Contingency actions ..... 27

3 MAINTENANCE ..... 28

    3.1 General guidelines ..... 28

    3.2 Safety Measures ..... 28

    3.3 Maintenance procedure ..... 28

4 ROUTINE MAINTENANCE ..... 29

    4.1 General guidelines ..... 29

    4.2 Possible malfunctions ..... 29

    4.3. Adjustment of the zero position of leaf for “Sweeper-S-HG” ..... 30

5 TRANSPORTATION AND STORAGE ..... 31

    5.1 Turnstile storage ..... 31

    5.2 Turnstile transportation ..... 31

6 DISPOSAL ..... 31

Annex A1. Overall and installation dimensions of the “SWEEPER-S-HG-1” and “Sweeper-S-HG-2” type turnstile 32

Annex B. Control desk and connection diagram ..... 33

Annex C.1. Wiring diagram of the Sweeper-S-HG 1.1 Master (AUIA.750) rev 0.7 ..... 34

Annex C.2. Wiring diagram of the Sweeper-S-HG 1.2 BLDC Slave (AUIA.750) rev 0.7 ..... 35

Annex C.3. Wiring diagram of the Sweeper-S-HG 1.2 BLDC Slave (AUIA.750) rev 0.7 ..... 36

Annex D.1. Diagram of the turnstile connection to access control system (ACS) ..... 37

Annex D.2. Diagram of the turnstile connection to access control system (ACS) ..... 38

Annex D.3. Diagram of the turnstile connection to fire alarm (FA) ..... 39

Annex D.4. Diagram of the turnstile connection to control panel ..... 40

### INTRODUCTION

This Operation Manual (hereinafter referred to as OM) covers the servo-operated "SWEEPER-S-HG" type waist-high turnstile (hereinafter referred to as the "turnstile"). The Operation Manual contains information about design, specifications, installation for proper operation and maintenance of the turnstile.

This Operation Manual is prepared in compliance with the specification requirements TU U 28.9-32421280-005:2018.

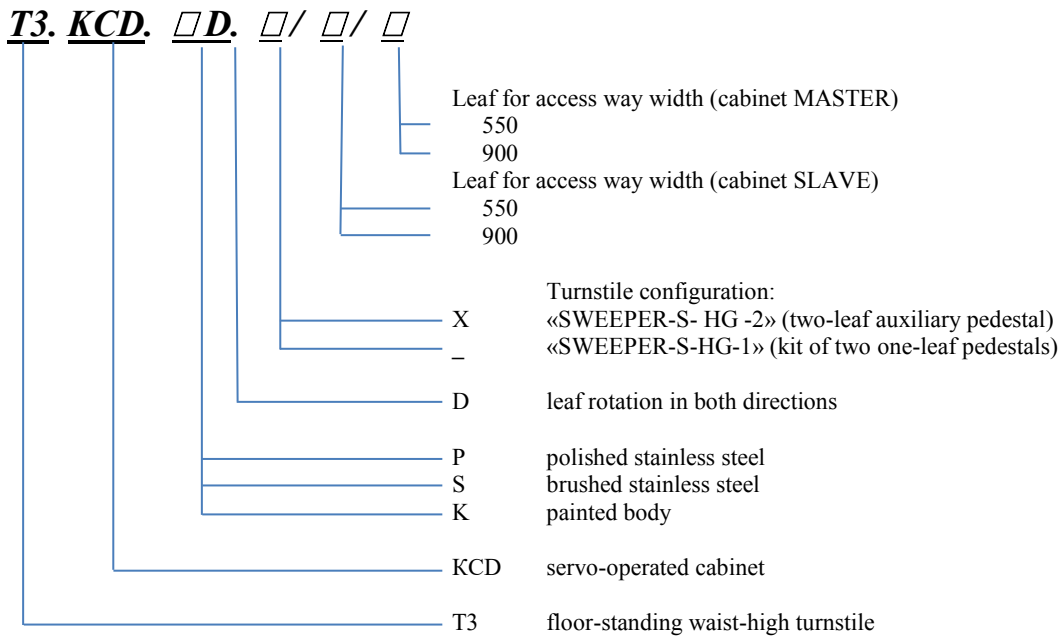
The turnstile shall be serviced only by the qualified staff having the relevant class of permit to work with electrical facilities with voltage up to 1000V and scrutinizing this Operation Manual, obtaining safety instructions and trained for operation and maintenance of the turnstile.

Reliability and durability of the turnstile operation are provided with observation of modes and conditions of transportation, storage, installation and operation. So, fulfillment of all requirements specified in this document is mandatory.

The turnstile "SWEEPER-S-HG" can be installed both singly and in line. The single turnstile includes two cabinets (left-hand and right-hand), each of which has one glass leaf in the form of swing leaf.

The turnstile group is provided by installation one more or a number of additional cabinets equipped with swing glass leaves on both sides reducing costs and saving space.

Depending on the turnstile purpose and design features, the following pattern of reference designation is accepted:



Turnstile "SWEEPER-S-HG-1" - set of two cabinets Master and Slave (AUIA.750.00.00.00.00-1): - identification order code **T3.KCD.PD /900 /550**

Turnstile "SWEEPER-S-HG-2" - one two-leaf cabinet Master/Slave (AUIA.750.00.00.00.00-2): - identification order code **T3.KCD.PD. X / 550 / 900**

Turnstile Sweeper-S-HG	modification	order code
One side cabinet Master	SWEEPER-S-HG-1.1	AUIA.750.00.00.00.00-1.1
One side cabinet Slave	SWEEPER-S-HG-1.2	AUIA.750.00.00.00.00-1.2
Double side cabinet Master/Slave	SWEEPER-S-HG-2	AUIA.750.00.00.00.00-2

Example of reference designation of the single turnstile "Sweeper-1" consisting of Master и Slave cabinets made of brushed stainless steel:

The turnstile T3.KCD.SD TU U 28.9-32421280-005:2018

Example of reference designation of the double turnstile "SWEEPER-S-HG-2" consisting of one consisting of servo-operated Master/Slave cabinet made of polished stainless steel:

The turnstile T3.KCD.PD.X TU U 28.9-32421280-005:2018

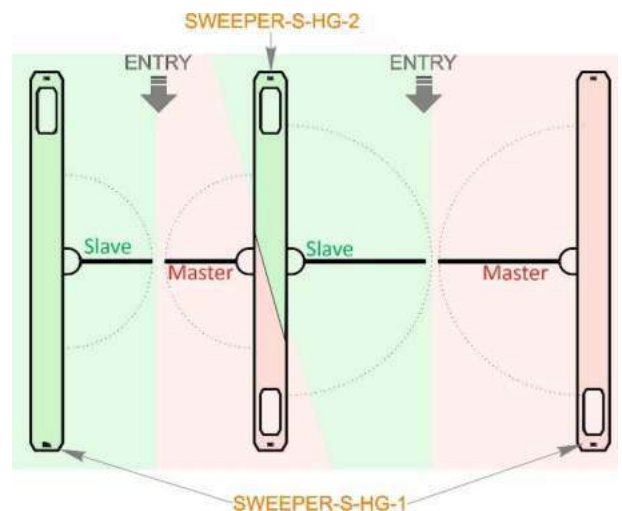


Fig. 1 – Definition of the turnstile component description

## WARNINGS TO THE CUSTOMER ON SAFE OPERATION OF THE TURNSTILE

These warnings are designed for ensuring of safety during operation of the turnstile to prevent violation of safety characteristics by improper installation or operation. These warnings are aimed at drawing attention of the customer to safety problems

### GENERAL WARNINGS

*The Operation Manual is an integral part of the product and it shall be handed over to the customer. The OM shall be kept for later use and consulted for clarifications if required. If the turnstile is resold, handed over to another owner or transported to another place, make sure that the OM is enclosed to the turnstile to be used by new owner and/or maintenance staff during installation and/or operation.*

Safety measures and requirements specified in this in this OM must be observed:

- the turnstile must be connected to ground loop prior to operation;
- the turnstile should be connected to AC network with parameters specified in paragraph 1.2 "Specifications";
- inspection, adjustment and repair should be performed only after the turnstile is deenergized

After purchasing of the turnstile it should be unpacked and its integrity should be checked. In case of doubt in integrity of the turnstile it should not be used and the customer should refer to the supplier or to the manufacturer.

Packing accessories (wooden pallet, nails, clips, polyethylene bags, cardboard etc.) as potential sources of hazard must be removed to unacceptable place prior to proper use of the turnstile.

As electric shock protection device the turnstile is related to 01 protection class according to GOST (State Standard) 12.2.007.0-75 and is not intended for operation in explosive and fire- hazardous areas by the "Rules for design of electrical installations".

Using of the turnstile for unintended purpose, improper installation, nonobservance of conditions of transportation, storage, installation and operation, specified by this OM, may result in damage to people, animals or property for which the manufacturer is not responsible.

*Due to regular improvement of the product its design can be modified without degradation of the product features and quality not covered by this Operation Manual*

## 1. DESCRIPTION AND OPERATION

### 1.1 General Information and Purpose

#### 1.1.1 Turnstile purpose:

The servo-operated turnstile is designed for pedestrian movement control at access points of industrial enterprises, banks, stadiums, administrative facilities etc. controlled by access control system (from proximity card readers) or manually (from manual control panel). The Sweeper-S-HG turnstile model with full-height swing leaves guarantees a high level of security and a long service life. High leaves not only exclude the possibility of unauthorized passage, but also prevent to transfer of anything above the turnstile, as well as over jumping it.

The turnstile traffic flow capacity without personal identification is at least 30 persons per minute in one direction (for turnstiles with a passage of 550 mm), at least 25 persons per minute in one direction (for turnstiles with a passage of 900 mm).

#### 1.1.2 The turnstile dimensions and weight correspond to the values specified in Table,1

Table 1- Dimensions of turnstile group

Designation of turnstile modification type	Access way width	Dimensions, mm			Max. weight, kg
		Height (H)	Width of set for one lane (W)	Length (L)	
Sweeper-S-HG-1 550	550	1500	898	1334	143*
Sweeper-S-HG-1 900	900		1248		150*

When the turnstile with more than two access ways is ordered:  
 $W_{total} = 788 \cdot s + 1138 \cdot w + b$   
 where *s* – number of 550 mm access ways «standard»;  
*w* – number of 900 mm access ways «wide»;  
*b* - lid width - 110 mm;  
 Example of calculation of size  $W_{total}$  for double turnstile =  $778 \cdot 1 + 1138 \cdot 1 + 110 = 2036$  mm (See Fig.2)

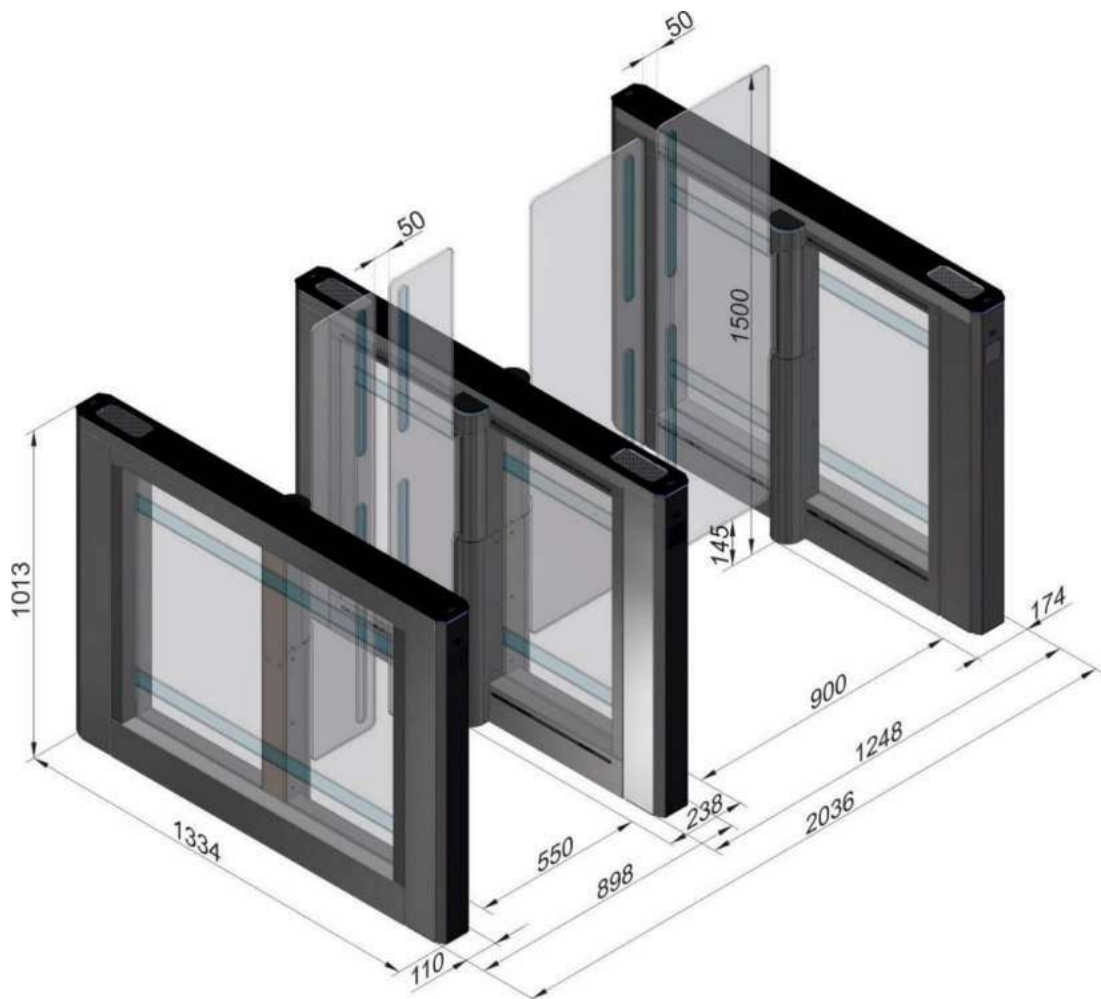
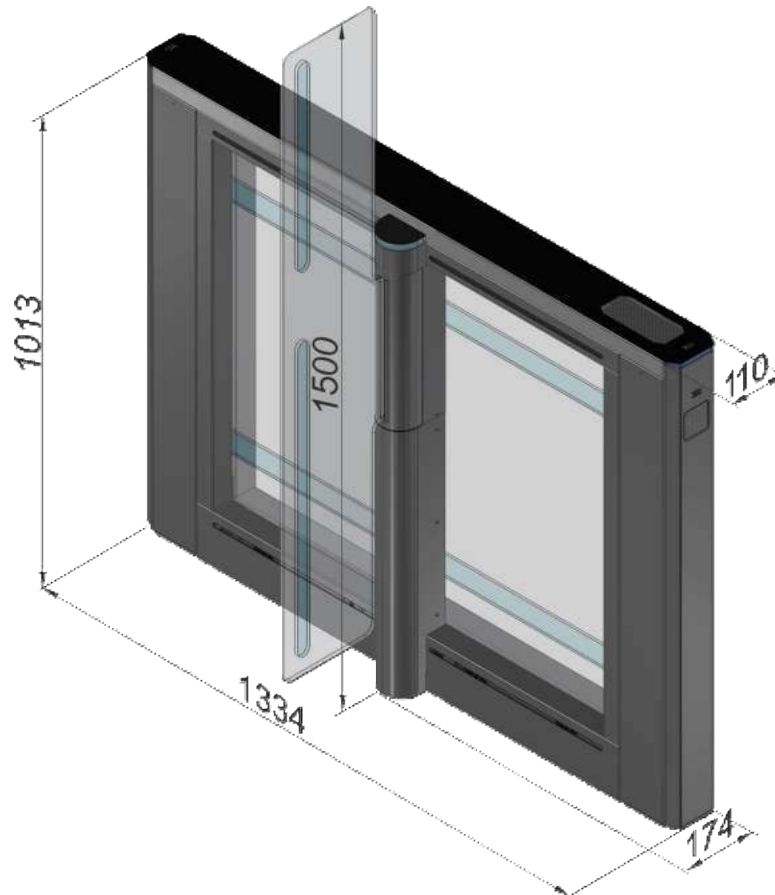


Fig. 2 – Dimensions of turnstile group

**1.1.3 The turnstile component identification codes are specified in Table 2.**
*Table 2 - Overall dimensions of pedestal*

Description of the turnstile component	Order code	Dimensions, mm			Max. weight, kg
		<i>H</i>	<i>B</i>	<i>L</i>	
One side cabinet Master SWEEPER-S-HG-1.1	T3.KCD.XD	1010	174	1334	80
One side cabinet Slave SWEEPER-S-HG-1.2					
Double side cabinet Master/Slave SWEEPER-S-HG-2	T3.KCD.XD.X				94


*Fig. 3 – Overall dimensions of the turnstile gate*
**1.1.4 The operation condition parameters according to GOST 15150-69 are specified in Table 3 For climatic modification NF4**
*Table 3*

<i>Operation conditions</i>	<i>Parameter value</i>
Ambient air temperature	+1°C to +40°C
Relative air humidity	80% at +20°C
Ambient air allowable pressure	84 to 106,7 kPa
Transportation temperature range	- 40°C to + 50°C
Storage temperature range	+ 5 to + 40°C
Structural design category	L3
Altitude above sea level	up to 2000m
Environment	Explosion-proof, does not contain current-conducting dust, aggressive gases and vapours in concentration destroying isolation and metals, disturbing normal operation of the equipment installed in turnstiles
Installation site	In enclosed spaces in the absence of direct impact of precipitations and solar radiation
Operating position	Vertical, deviation from vertical position no more than 1° to any side is allowed

## 1.2 Specifications

Key parameters of the turnstile are specified in Table 4.

Table 4

Parameter description	Parameter value	
Maximum lane width	550 mm	900 mm
Traffic flow capacity in free access mode, at least	30 man/min.	25 man/min.
Opening/closing time	0,6 s	0,8 s
Power supply voltage: – AC power supply (primary) – DC power supply (secondary)	100 ÷ 240 V ~ 50/60 Hz 12 V	
Maximum power consumption	160 W	
Index of protection according to EN 60529	IP41	
Mechanism	BMDrive® servo-driven (BLDC)	
Locking system	ToothLock®	
In case of power failure	fail-safe (gates can be opened manually)	
LED Light: – display showing access status – card reader area – glass partitions showing turnstile	DotLights® RFIDLights® EdgeLights®	
<b>Reliability indices</b>		
Mean time to repair (without delivery time of spare parts, tools and accessories)	– at most 6 hours;	
Mean time to failure	– at least 10 000 000 accesses	
Mean service life between overhauls	– at least 10 years	

## 1.3 Configuration and Scope of Delivery

**1.3.1 The turnstile modification** depends on the number of access ways:

- 1) For arrangement of single access way the turnstile "SWEEPER-S-HG-1" is a set of two similar in design cabinets (Master and Slave) with one swing glass leaf (reference designation T3.KCD.XD);
- 2) For arrangement of two or more access ways the turnstile "SWEEPER-S-HG-1" is a set of two one-leaf cabinets (reference designation T3.KCD.XD) and one or more auxiliary cabinet "SWEEPER-S-HG-2" (Master/Slave) with two swing leaves (reference designation T3.KCD.XD.X).

### 1.3.2 Design of the single "SWEEPER-S-HG-1" type turnstile

The single turnstile "Sweeper-S-HG-1" (See Fig. 4) consists of two one-leaf cabinets (Master and Slave).

The one-leaf cabinet body includes:

- frame;
- top and bottom linings;
- decorative lid (solid glass top);
- glass partition;
- swing glass leaf;
- LED display (top and side).

Inside the cabinet there are installed:

- BMDrive® servo drive (BLDC);
- proximity identification card reader (to be equipped by the customer, if appropriate);
- terminal blocks;
- IR access sensors;
- control panel with controllers;
- power supply unit.

The cabinet design provides a space for installation of proximity identification card reader.

Optionally cabinet can be completed with battery\* (4 A·h). The single turnstile control desk equipped with power supply unit, circuit breaker and battery\* is installed only in the cabinet (Master) from the protected area side.

### 1.3.3 Design of the " SWEEPER-S-HG-2" type turnstile

The turnstile is one or more auxiliary cabinets " SWEEPER-S-HG-2" (Master/Slave) with two swing glass leafs (See Fig. 4). The number of auxiliary cabinets to be specified in the order. The turnstile " SWEEPER-S-HG-2" is used within group of the turnstile " SWEEPER-S-HG-1".

The additional cabinet includes:

- frame;
- base;
- set of side panels and doors;
- decorative lid (solid glass top);
- glass partition;
- two swing glass leaves;
- four LED displays (top and side).

There are installed inside additional pedestal:

- two BMDrive® servodrives (BLDC);
- two proximity identification card readers (*It is outside the turnstile scope of supply – to be equipped by customer, when applicable*);
- terminal blocks;
- IR access sensors;
- control panel with controllers;
- power supply unit;

Optionally cabinet can be completed with battery\* (4 A·h), (to be equipped by the customer, if appropriate).

### 1.3.4 The turnstile material of manufacture

Table 5

<i>Housing designation and modification</i>		<i>Coding</i>
<i>Standard</i>	brushed stainless steel AISI 304	T3.KCD. <b>SD</b>
<i>Optional</i>	brushed stainless steel AISI 316	T3.KCD. <b>SD</b>
	polished stainless steel AISI 304	T3.KCD. <b>PD</b>
	polished stainless steel AISI 316	
	carbon steel subject to painting RAL	T3.KCD. <b>KD</b>
<i>Glass leaves designation</i>		
	tempered glass (8 mm)	
<i>Top glass designation and modification</i>		
	stainless steel top with glass inserts	

### 1.3.5 Turnstile scope of delivery

The turnstile is delivered as a kit (set of cabinets depending on the number of lanes).

The turnstile is delivered by one or a number of packages (depending on the order).

## 1.4 Design and operation

### 1.4.1 Turnstile design (Fig.4)

The cabinet body is a frame, on which top (7) and bottom lining (9), end panel (2), stainless steel side door (1), 8 mm of tempered glass partition (14) are installed. Desk top (5) is fixed on frame from the top (lining material is defined by order).

The turnstile status is displayed by LED display board (3) *DotLights*<sup>®</sup>, installed in the cabinet's frame. The lit blue LED means initial state of the turnstile (Fig.6). In case of attempt of unauthorized access red LED starts blinking and audible signal is generated on control desk. When opening command is issued, LED is changed to green from the side of authorized access. If unauthorized access is attempted when swing leaves (10) are opened, then the leaves will be closed, if there is no any obstacle in the leaves' swinging area.

Six infrared sensors (15), installed on top lining, and four infrared sensors in the turnstile bottom lining from the access way side, are designed for detection of turnstile access, prevent closing of swing leaves (10) when a pedestrian is in immediate proximity to them and minimize the probability of being injured during turnstile access.

The swing leaf (10) is made of 8 mm tempered glass and is fixed with glassholders of pivoting shaft (11). The swing leaf is opened at 90° to either side depending on access direction. Each leaf is actuated by separate servomotor - *BMDrive*<sup>®</sup> gear motor (13). The auxiliary cabinet "SWEEPER-S-HG-2" is equipped with two servomotors (one per each leaf), while cabinets of the turnstile "SWEEPER-S-HG-1" have one servomotor for each pedestal.

In case of 230V power supply failure the turnstile leaves will be released (Fail-safe) and will remain in the position in which they were. To provide free access way the leaves to be swung aside manually. The turnstile operation will be maintained from battery (if it is installed) until it is discharged.

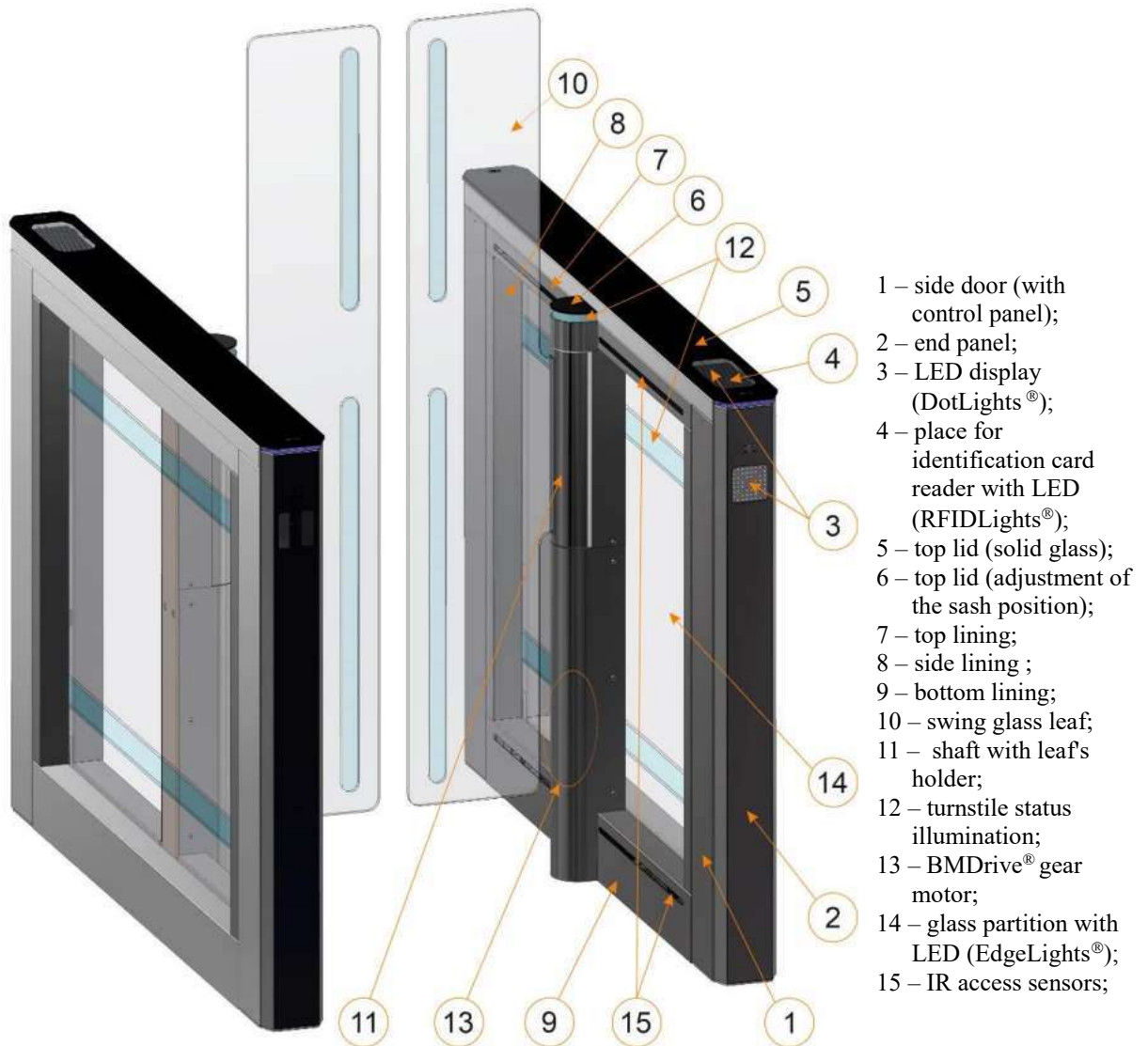
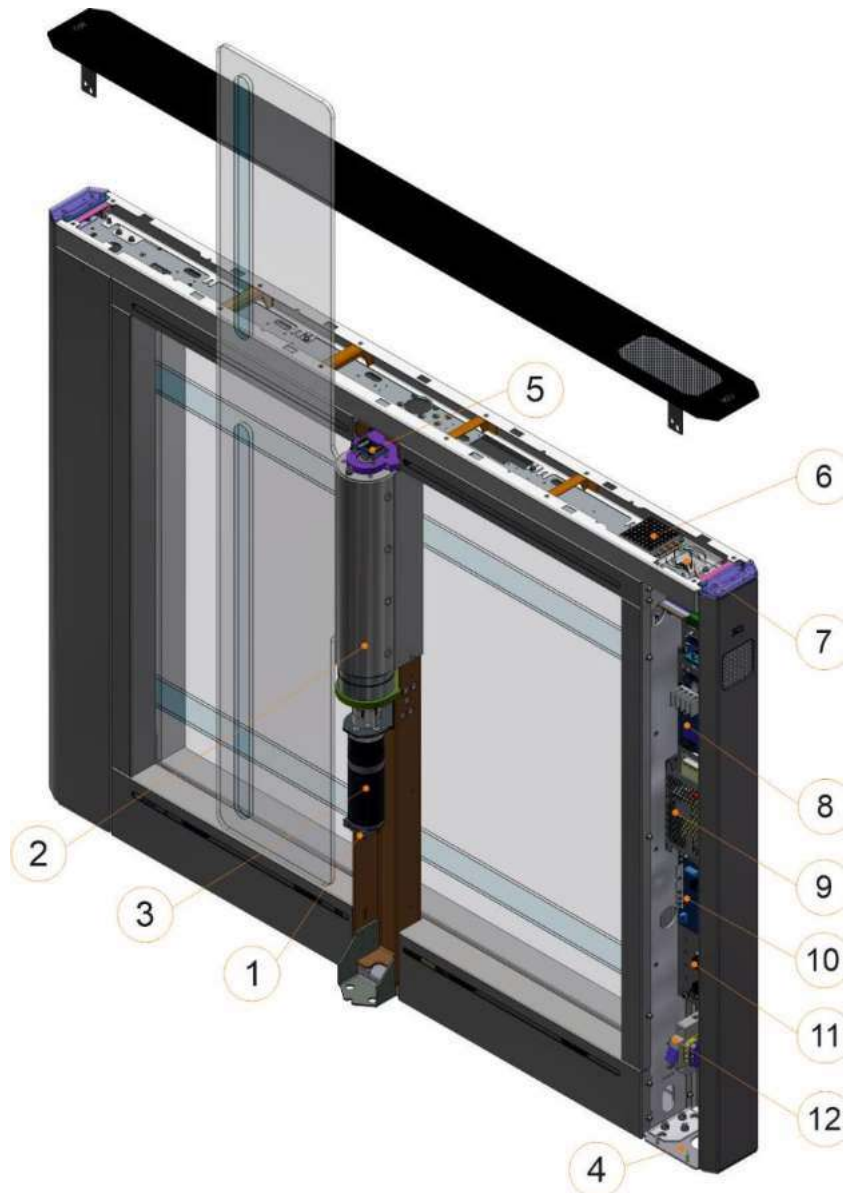


Fig. 4 – Design of the single "Sweeper-S-HG-1" type turnstile T3.KCD.XD

### 1.4.2 General appearance of the turnstile operating mechanism and control desk

The cabinet operating mechanism is shown in Figure 5.



- 1 – magnetic motor sensor;
- 2 – shaft with leaf's holder;
- 3 – gear motor;
- 4 – frame;
- 5 – leaf's magnetic position sensor;
- 6 – LED display (DotLights®);

- 7 – place for identification card reader with LED (RFIDLights®);
- 8 – motor controller AUIA.401.00.00-01;
- 9 – power supply unit;
- 10 – main controller AUIA.206.21.20.00;
- 11 – link board for Master and Slave cabinets;
- 12 – circuit breaker.

*Fig. 5 – General appearance and design of the "Sweeper-HG-S-1" (cabinet Master) turnstile operating mechanism and control desk*

Controllers AUIA.401.00.00-01 (**8**) control the turnstile motors (**3**) (*Fig.5*) analyzing signals from motor shaft position sensors (**1**) and leaf position sensor (**5**), and provide motor overload protection. Controllers AUIA.206.21.00.00 (**10**) analyze infrared sensors, receive control commands from peripherals (control panel, ACS etc.), control LED displays and generate feedback signals for ACS.

External control panel has the following functions: single entry and single exit, entry and exit LOCK, free entry and free exit, panic.

### 1.4.3 Principle of operation

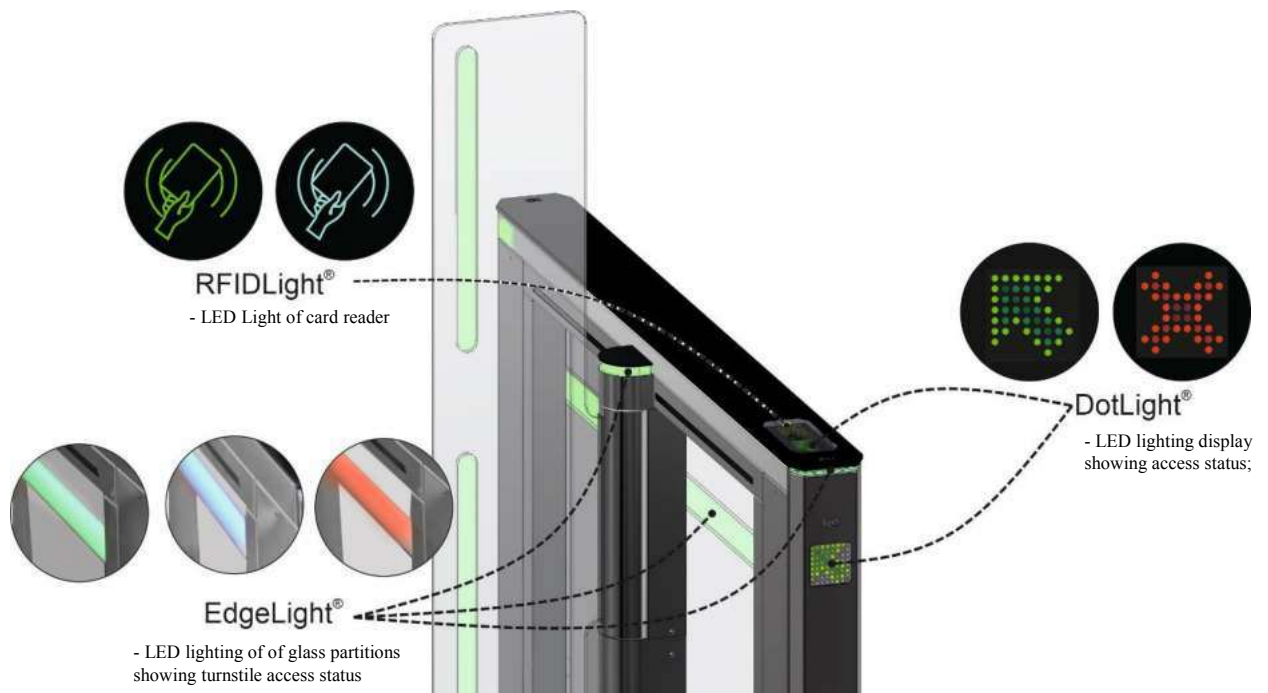


Fig.6 – Light indication of the turnstile status

#### Access cycle:

1. In the initial state the turnstile leaves are located perpendicular to body barring access..
2. The turnstile is opened for access in the direction "A" or "B" after the appropriate command from ACS or control desk is issued.
3. Green arrow is lit on LED display (Fig.6-7) and leaves swing to 90° in the relevant direction, i.e. they are opening. Pedestrian is able to access through the turnstile freely.
4. After pedestrian exit from control area, the "Closed" mode is set until next access. Blue LED is lit. Leaves are reliably closed preventing attempts of unauthorized access.

More detailed description of the turnstile operation modes is given in section 1.5 "Description and operation of controller as an integral component of the turnstile".

12V DC power voltage is provided by power supply unit.

In case of mains power supply failure, the turnstile is automatically switched to power supply from 4 A•h battery (optional), which ensures the turnstile operation within 2 hours.

The turnstile wiring and connection diagrams are shown in Annex C.



Fig.7 - LED display status lights

## 1.5 Description and operation of controllers as integral components of the turnstile

### 1.5.1 Turnstile controller AUIA.206.21.20.00

1.5.1.1 Appearance of controller AUIA.206.21.20.00 is shown in *Figure 8*.

1.5.1.2 Description of operation

The controller provides algorithm of operation of the whole turnstile. It is assembled on the card from foil-clad textile laminate of 120 x 80 mm size, on which electronic components and terminals for connection to other turnstile units as well as for connection to control peripherals (ACS, control desk etc.) are installed.

The controller initiates signal for 10 infrared transmitters and receives signal from 10 infrared receivers that enables to determine human (or object) presence in the turnstile access area with high probability. Furthermore, the controller controls light and sound indication, receives commands from control desk using interface RS-485, receives commands and initiates report signals for ACS via signal inputs and outputs as well as controls operation of motor controllers (AUIA.401.00.00-01). The controller and therefore the turnstile can be in the following modes.

- «INITIAL STATE».
- «SINGLE ACCESS IN THE DIRECTION A».
- «SINGLE ACCESS IN THE DIRECTION B».
- «SINGLE ACCESS IN BOTH DIRECTIONS».
- «FREE ACCESS IN THE DIRECTION A».
- «FREE ACCESS IN THE DIRECTION B».
- «FREE ACCESS IN BOTH DIRECTIONS».
- «LOCKING OF ACCESS IN THE DIRECTION A».
- «LOCKING OF ACCESS IN THE DIRECTION B».
- «LOCKING OF ACCESS IN BOTH DIRECTIONS».
- «ALARM».

#### «INITIAL STATE»

The turnstile is in this mode during energization and after completion of the turnstile access, if during access the mode is not changed to "LOCKING", "FREE" or "ALARM". In this mode red LED is constantly lit on both LED boards, sound indication is OFF, access is blocked by leaves.

#### «SINGLE ACCESS»

The turnstile goes to this mode when command "SINGLE ACCESS A/B" comes from control desk via interface RS-485 or when signal inputs "INP1" ("ACCESS A TO BE OPENED") or/and "INP5" ("ACCESS B TO BE OPENED") are closed on common wire (terminal "GND").

In this case if command comes via interface RS-485, the access start waiting time is 5 sec. and when signal inputs are short circuited the turnstile will be waiting for access start while input is closed. Green arrow is lit on LED display from the side of permitted access and red cross is lit from the side of denied access. Leaves are hidden in lining making access free. Pedestrian is able to access through the turnstile. If access start time is up and access is not started (the first IR barrier in the direction of movement was not blocked), the turnstile returns to "INITIAL STATE". If within the above time period access is started, controller generates the signal "ACCESS IS OCCUPIED" (outputs "OUT1" or/and "OUT2") and starts tracing position and direction of pedestrian movement in the turnstile access way, analyzing 6 IR barriers. As soon as pedestrian is behind swing leaves they are closed, the controller generates the signal "DETECTION OF ACCESS" of 0,3 second duration (outputs "OUT3" or "OUT4") and LED display is switched from green to red. After the pedestrian turnstile access the controller deenergizes the signal "ACCESS IS OCCUPIED" and returns to "INITIAL STATE".

#### «FREE ACCESS»

The turnstile goes to this mode either upon command "FREE ACCESS A/B" arrived via interface RS-485 from control desk or if during "SINGLE ACCESS" initiated by signal on input "INP1" ("ACCESS A TO BE OPENED") or/and "INP2" ("ACCESS B TO BE OPENED") at the end of 0,3 sec. after the signal "DETECTION OF ACCESS A" or "DETECTION OF ACCESS B" is removed by controller, the signal on the relevant input "INP1" or "INP2" was not removed. In this mode swing leaves are constantly turned in the direction of free access, green arrow is blinking on LED display from the side of permitted access. Thus every turnstile access is traced and the signal "DETECTION OF ACCESS" of 0,3 second duration is generated to the relevant output («OUT3» or "OUT4").

In this state the turnstile will be until arrival of command "CANCELLATION OF FREE ACCESS" via interface RS-485 or until removal of signals from "INP1" or/and "INP2" depending on the cause of going to the free access mode.

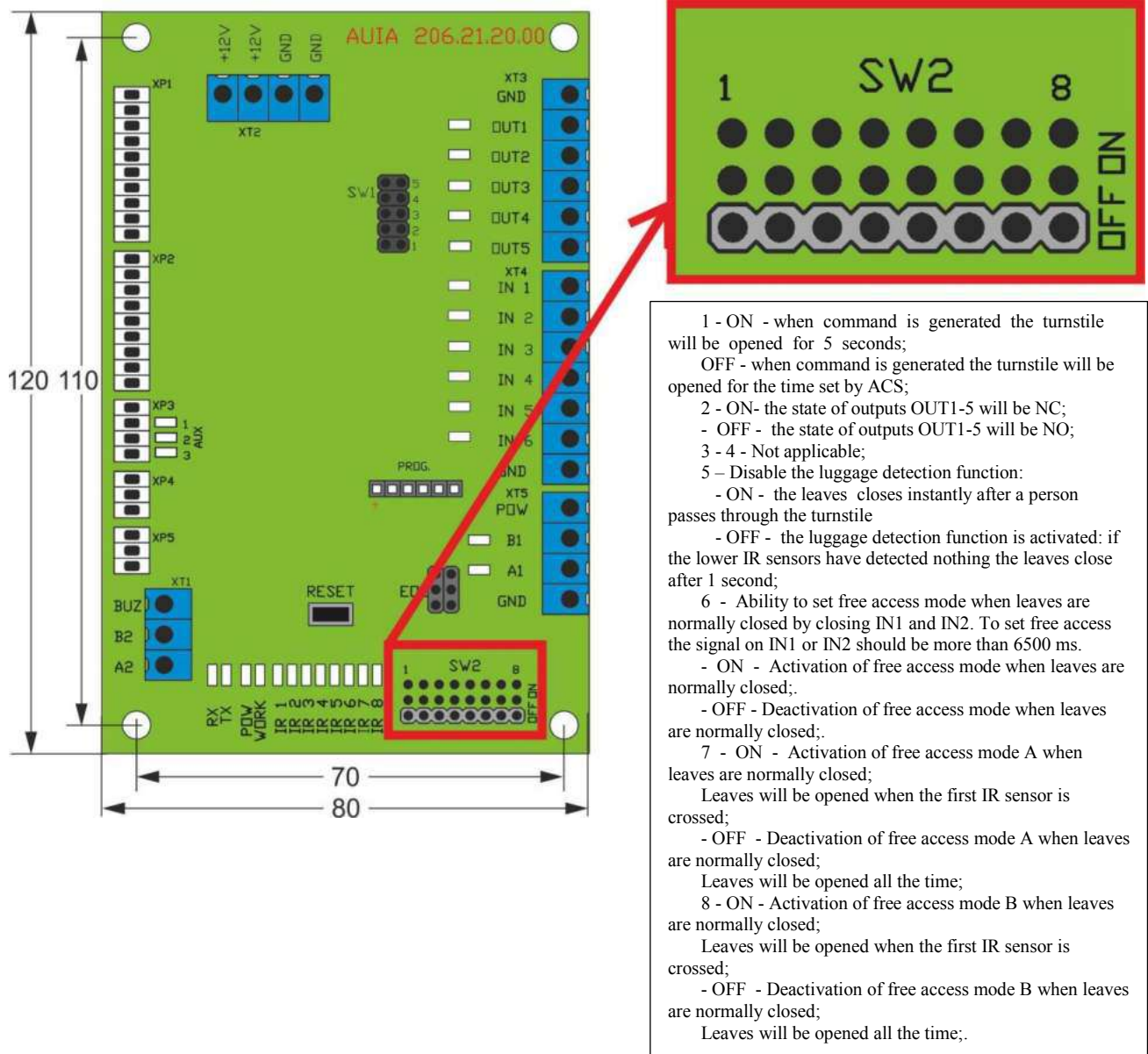


Fig. 8 – Appearance of controller AUIA.206.21.20.00

« **LOCKING OF ACCESS** »

The turnstile goes to this mode only upon command "LOCKING OF ACCESS A/B" arrived via interface RS-485 from control desk. In this case red LED is blinking from the side of locked access, leaves are in closed state (if the turnstile is not opened for free or single access from opposite side), controller does not respond to signals of inputs "INP1" ("ACCESS A TO BE OPENED") or/and «INP2» ("ACCESS B TO BE OPENED) respectively.

The lock mode prevails over single and free access mode. It means that access can be locked at any time, thus, if within the panel closing area there is no any obstacle, then they will be closed.

The controller will be in this mode until arrival of command "CANCELLATION OF ACCESS LOCKING A/B" via interface RS-485 from control desk

« **ALARM** »

The turnstile goes to this mode from any above mentioned mode in case of unauthorized access attempts. Meanwhile red LED is frequently blinking (4 times per second), siren alarm is generated on the turnstile and control panel and output "OUT5" is activated on the controller board. If the turnstile was opened, then swing leaves would be closed if there were no obstacles in the closing area. The turnstile will return to the mode preceding the "ALARM" mode as soon as causes of this mode disappear. In this case the output "OUT5" will go to passive state, siren alarms on control desk will be off and panels and light indication will be set according to the current mode.

The purpose of the controller contacts intended for connection to peripherals is specified in Table 6.

Table 6

Connector/ Contact No	Designation	Direction	Purpose	Signal parameters and description
1	2	3	4	5
XT4/1	INP1 ("TO BE OPENED A")	ENTRY	"TO BE OPENED FOR SINGLE/FREE ACCESS"	1) logical «0» (0 ÷ 2,2) V; 2) logical «1» (3 ÷ 5) V; 3) active level of signal (factory setting) logical «0» 4) voltage on open input < 5 V
XT4/2	INP2 («ОТКРЫТЬ В»)	ENTRY		
XT4/3	INP3 («PANIC»)	ENTRY		
XT4/4	INP4	ENTRY		
XT4/5	INP5	ENTRY		
XT4/6	INP6	ENTRY		
XT4/7	GND		COMMON WIRE	
XT3/1	GND		COMMON WIRE	
XT3/2	OUT1 («ACCESS A IS OCCUPIED»)	EXIT	Signal is generated from the moment of blocking of the first IR barrier in the direction of movement and is removed after cancellation of the latter	1) type of output – open collector; 2) peak voltage on privacy key 55V; 3) peak current of public key 100mA; 4) resistance of public key (5 ÷ 7) Ohm; 5) active level of signal (Factory setting) – logical «0» (connection on GND)
XT3/3	OUT2 («ACCESS B IS OCCUPIED»)	EXIT		
XT3/4	OUT3 («DETECTION OF ACCESS A»)	EXIT	Signal appears during barring of the second last IR barrier and continues 0,2 sec.	
XT3/5	OUT4 («DETECTION OF ACCESS B»)	EXIT		
XT3/6	OUT5 («ALARM»)	EXIT	Output is active in case of unauthorized access attempt	
XT5/1	POW		«+» power supply	
XT5/2	B1		It is used for data transmission via serial port. It is used for connection of control desk.	Interface RS-485
XT5/3	A1			Interface RS-485
XT5/4	GND		COMMON WIRE	
XT1/1	BUZ		Output for connection of audible alarm. The output is active in case of unauthorized access	1) type of output – open collector; 2) peak voltage on privacy key 60V; 3) peak current of public key 250 mA; 4) resistance of public key (0,48÷ 640) Ohm; 5) active level of signal (Factory setting) – logical «0» (connection on GND)
XT1/2	B2		It is used for data transmission via serial port.	Interface RS-485
XT1/3	A2			Interface RS-485
XT2/1	+ 12V		«+» power supply (controller energization)	1) Power supply voltage 12V; 2) Consumption < 150 mA
XT2/2	+ 12V			
XT2/3	GND (common)		«-» power supply (common wire)	
XT2/4	GND (common)			

**1.5.2 Motor controller AUIA.401.00.00-01**

**1.5.2.1. Description of motor controller AUIA.401.00.00-01**

The controller AUIA.401.00.00-01 is designed to control BMDrive® gear motors, which drives the turnstile leaves in motion. At each passage of turnstile installed pair of controllers AUIA.401.00.00-01: the first controller drive the leaf in the Master cabinet, the second controller drive leaf in the Slave cabinet.

BMDrive® gear motors control are performed based on the signals coming from leaf position sensor «XP6», motor magnet sensor «XP3», hall sensors "XP12" built into the gear motors, as well as from current sensors installed on the controller.

Control signals from the main controller AUIA. 206.21.20.00 come to inputs XP2/ «SW1, SW2, SW3» of Master controller AUIA.401.00.00-01 (see Table 7).

Master and Slave controllers AUIA.401.00.00-01 are synchronized with each other through the CAN communication line "XP10".

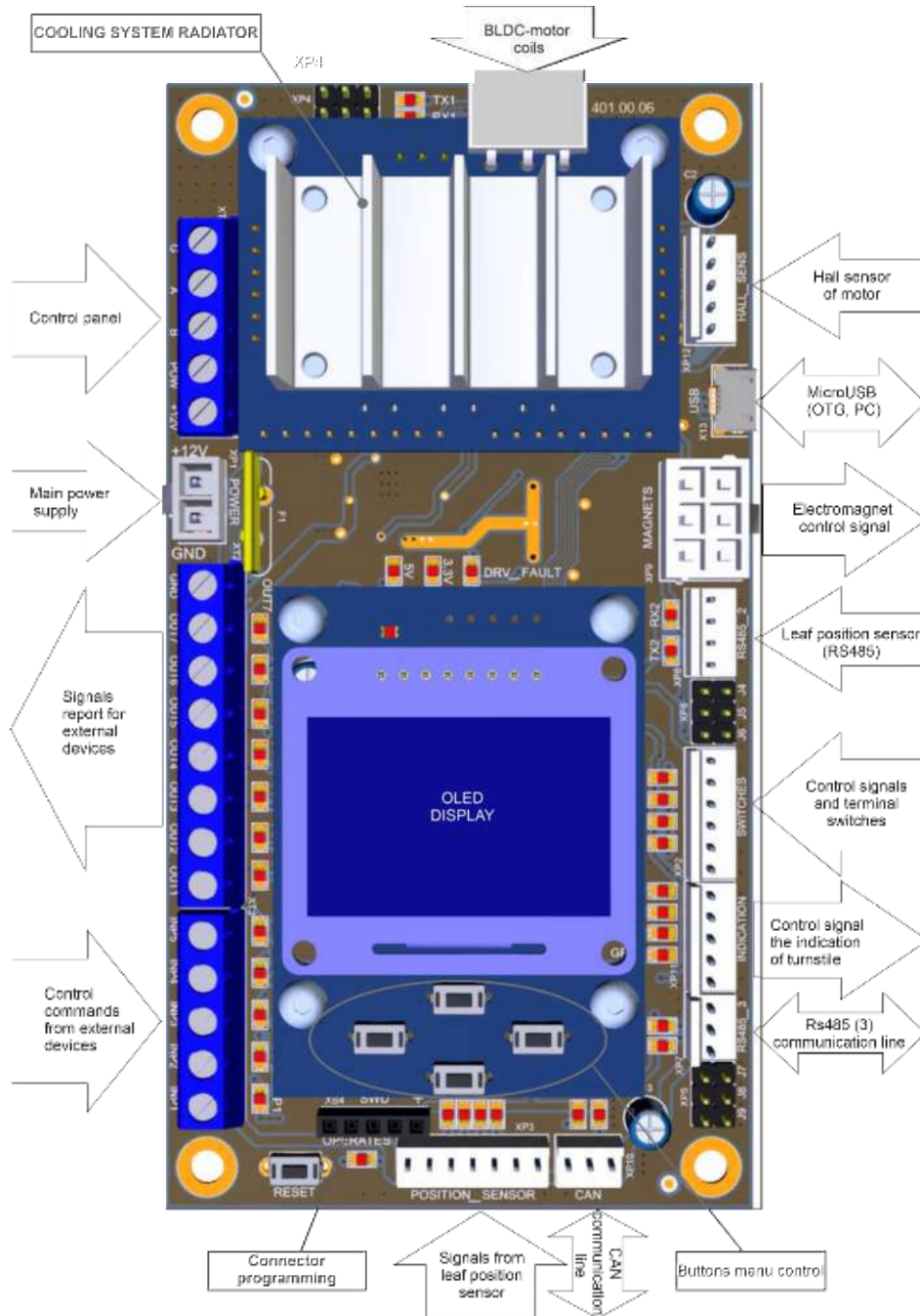
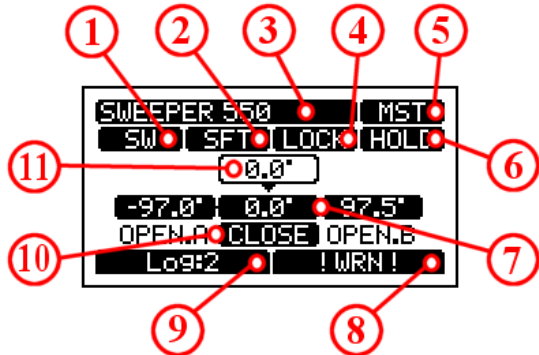


Fig.9 – Appearance of controller AUIA.401.00.00-01

**1.5.2.2. Description of the main page of the controller**

An OLED display and 4 control buttons are installed on the front side of the AUIA.401.00.00-01 controller for the displaying the current state of the controller and for configuration settings at menu

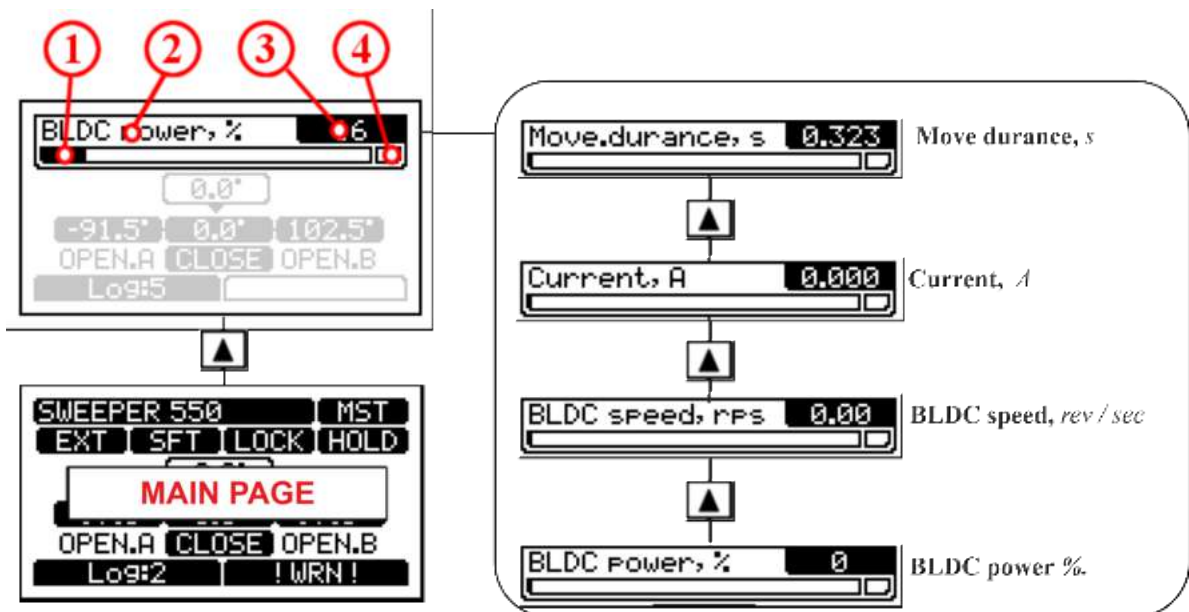
After initialization of the controller the **main page** of the menu is displayed on the screen.



1. Control mode indication
2. PANIC- and SAFETY-mode indication of the turnstile
3. Type and model indication of the turnstile
4. Locking mechanism status indication
5. Solo/Master/Slave modes indication
6. BLDC-drive modes indication
7. Leaf's working range indication
8. Errors and warnings system indication
9. Number of log entries indication
10. Actual control commands indication
11. Actual leaf position indication

Fig.10 – Structure of the main page indications

**1.5.2.3. Additional indication of the main page on the OLED display:**



*Symbols of additional indication of the main page menu*

- ① - parameter value bar in a Range min - max
- ② - parameter name
- ③ - numeric parameter value
- ④ - indicator of reaching and / or exceeding the parameters of the MAX value

Fig.11 – Structure of the additional indication of the main page menu

**1.5.2.3. Other pages (functions) of OLED display:**

You can toggle to other pages (functions) of display by holding pressed the corresponding button more than 2 seconds:

- ◀ 2sec - toggle to the system log page
- ▶ 2sec - toggle to the current errors page
- ▲ 2sec - toggle to the paired screen control mode of Slave-cabinet or Master-cabinet motor controller
- ▼ 2sec - toggle to the system menu page

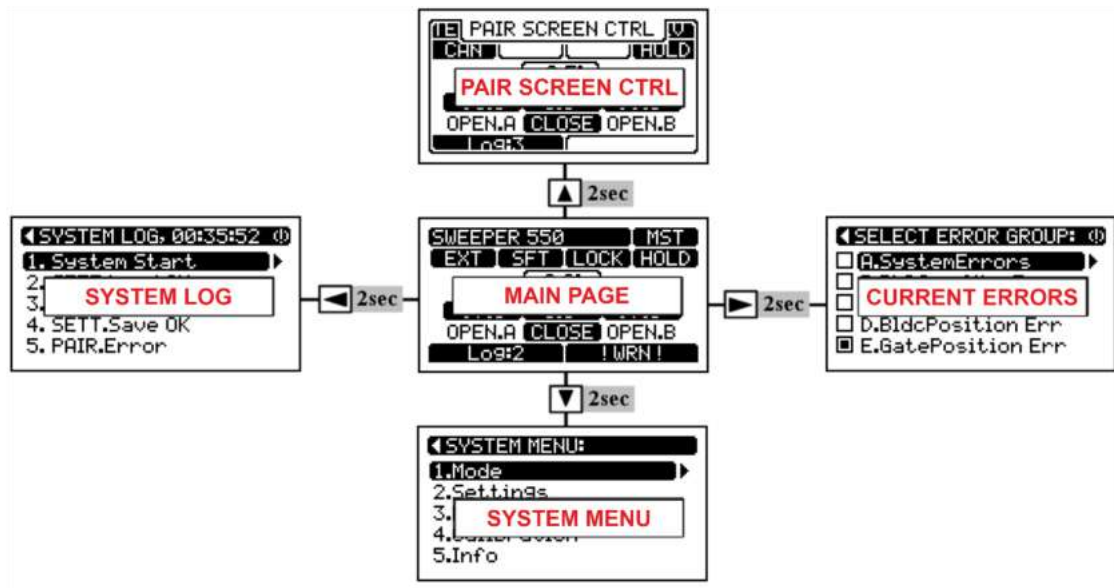


Fig.12 – Switching to other pages (functions) of the menu

**1.5.2.4. The purpose of the controller contacts AUIA.401.00.00-01**

Table 7- The purpose of the controller contacts AUIA.401.00.00-01

<i>Nº</i> <i>Connector/contact</i>	<i>Description</i>	<i>Direction</i>	<i>Designation</i>
XT1/1	G	EXIT	Common wire of the control panel (GND )
XT1/2	A	DATA	RS485 (1) communication line with 7-button TISO control panel
XT1/3	B	DATA	
XT1/4	POW	EXIT	
XT1/5	+12V	EXIT	Power output (+12V) for additional devices
XP1/1	+12V	ENTRY	(+) power supply +12V
XP1/2	GND	ENTRY	(-) power supply (GND)
XT2/1	GND	EXIT	Common for additional devices (GND)
XT2/2	OUT7	EXIT	Not applicable
XT2/3	OUT6	EXIT	
XT2/4	OUT5	EXIT	
XT2/5	OUT4	EXIT	
XT2/6	OUT3	EXIT	
XT2/7	OUT2	EXIT	
XT2/8	OUT1	EXIT	
XT3/1	INP5	ENTRY	Not applicable
XT3/2	INP4	ENTRY	
XT3/3	INP3	ENTRY	
XT3/4	INP2	ENTRY	
XT3/5	INP1	ENTRY	
XS1/1	MOT C	EXIT	Connection of BLDC-motor coils
XS1/2	MOT B	EXIT	
XS1/3	MOT A	EXIT	
XP12/1	+5V	EXIT	Power supply for hall sensors of the BLDC-motor
XP12/2	HALL C	ENTRY	Hall sensor signals of BLDC motor
XP12/3	HALL B	ENTRY	Hall sensor signals of BLDC motor
XP12/4	HALL A	ENTRY	Hall sensor signals of BLDC motor
XP12/5	GND	EXIT	GND of hall sensors of BLDC motor
XP9/1	MG1	EXIT	Not applicable
XP9/2	MG2	EXIT	
XP9/3	MG3	EXIT	Gate lock system control signal
XP9/4	+12V	EXIT	Not applicable
XP9/5	+12V	EXIT	
XP9/6	+12V	EXIT	
XP6/1	RS - A	DATA	RS 485 (2) communication line with the leaf position sensor
XP6/2	RS - B	DATA	
XP6/3	GND	EXIT	Common

Continuation of table 7

1	2	3	4
XP6/4	+12V	EXIT	Power supply of leaf position sensor
XP8/1	J1	ENTRY	Jumper of line RS 485 (2) pull up resistor
XP8/2	J2	ENTRY	Jumper of line RS 485 (2) termination resistor (load)
XP8/3	J3	ENTRY	Jumper of line RS 485 (2) pull up resistor
XP2/1	GND	EXIT	Common
XP2/2	SW1	ENTRY	Control signal from AUIA.206.21.20.00 (Open A)
XP2/3	SW2	ENTRY	Control signal from AUIA.206.21.20.00 (Open B)
XP2/4	SW3	ENTRY	Control signal from AUIA.206.21.20.00 (Safety sensor)
XP2/5	SW4	ENTRY	Gate lock system feedback
XP2/6	GND	EXIT	Common
XP1/1	RED 1	EXIT	output indication for direction A
XP1/2	GRN 1	EXIT	
XP1/3	RED 2	EXIT	output indication for direction B
XP1/4	GRN 2	EXIT	
XP1/5	+12V	EXIT	Power supply of light indication
XP6/1	GND	EXIT	Common
XP6/2	RS - A	DATA	RS 485 (3) internal communication line between controllers
XP6/3	RS - B	DATA	
XP5/1	J1	ENTRY	Jumper of line RS 485 (3) pull up resistor
XP5/2	J2	ENTRY	Jumper of line RS 485 (3) termination resistor (load)
XP5/3	J3	ENTRY	Jumper of line RS 485 (3) pull up resistor
XP10/1	GND	EXIT	Common
XP10/2	CAN-R	EXIT	CAN communication line between Master / Slave motor controllers of BLDC-motor
XP10/3	CAN-D	EXIT	
XP3/1	+12 V	EXIT	Power supply the BLDC-motor shaft position sensor
XP3/2	SPEED	ENTRY	Signals of BLDC-motor shaft position sensor
XP3/3	ANGLE1	ENTRY	
XP3/4	ANGLE2	ENTRY	
XP3/5	ZERO3	ENTRY	
XP3/6	SET ZERO	EXIT	
XP3/7	GND	EXIT	Common
XP4/1	J1	ENTRY	Jumper of line RS 485 (1) pull up resistor
XP4/2	J2	ENTRY	Jumper of line RS 485 (1) termination resistor (load)
XP4/3	J3	ENTRY	Jumper of line RS 485 (1) pull up resistor
XP13	Micro USB	DATA	Micro-USB Connector for programming and configuration

Refer to the user manual “Controller AUIA.401.00.00-01 of BMDrive motor control” for more information about the operation and setting of the controllers.

## 2 INTENDED USE

### 2.1 Operation restrictions

2.1.1 The turnstile must be used in the environment specified in p. 1.1.4 of this document subject to the specifications listed in section 1.2.



**IT IS FORBIDDEN:**

- to misuse the turnstile (see section 1 "description and operation");
- to use the turnstile unearthed;
- to use heating pipes and radiations as well as pipes of central water supply for earthing to repair and adjust without deenergization;
- to relocate the objects exceeding the passageway width through the turnstile access area;
- to jerk and impact barrier rods, led display or other parts the product, which may cause their mechanical damage;
- exert force on leaves more than 400 H (40 kg) in “access locking” mode

#### 2.1.2 It is forbidden to use the turnstile:

- at the presence of mechanical rattle in movable parts of the turnstile;
- when metalwork of the turnstile and its components and accessories are mechanically damaged

#### 2.1.3 List of special operation conditions

- Mean time of the turnstile access (in single access mode) equals to 2 sec.
- The turnstile’s mechanism allows emergency access by means of antipanic device.
- The force applied by accessor to barrier rod should not exceed 400H.
- Escape door, portal or cabinet can be installed near the turnstile to increase the turnstile traffic flow capacity in case of emergency.

## 2.2 Layout and installation

2.2.1 The turnstile and components of scope of supply to be delivered to installation site in factory packing. The turnstile to be unpacked only on installation site.

2.2.2 Preparation of the turnstile for installation (dismounting) and commissioning to be performed according to this OM with mandatory observation of safety measures specified in p. 2.1 and general electrical safety code.

#### 2.2.3 Safety Measures:

- Installation to be performed only by the persons briefed on safety and studied this manual;
- Only serviceable tools to be used during installation of the turnstile;
- Connection of all cables to be performed only when power supply is OFF;
- Cables to be laid in compliance with electric code;
- The turnstile to be installed by at least 2 installers

#### 2.2.4 Tools and accessories to be used (Fig.13):

- puncher;
- concrete drills (according to diameter of anchors included in the turnstile scope of delivery;
- extension cord;
- kit of end and pin wrenches;
- kit of hexagons;
- kit of screwdrivers;
- hammer;
- multimeter (tester);
- measuring tape ;
- marker;
- pliers, side cutters;
- builder's level.



Fig.13 - Tools and accessories for layout and installation

2.2.5 Total configuration of the "SWEEPER-S-HG" turnstile access ways

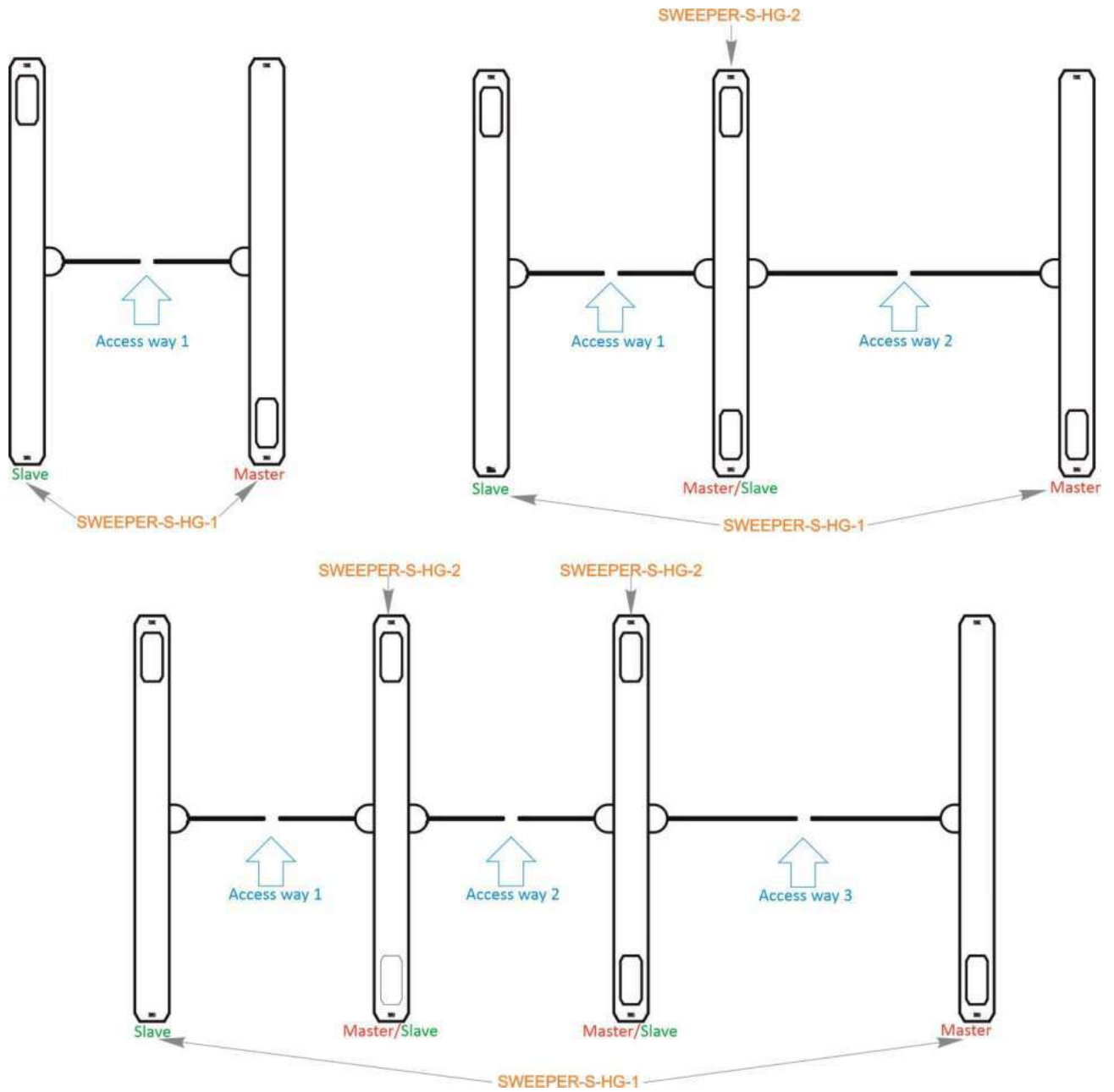


Fig. 14 – The "SWEEPER-S-HG" turnstile access way arrangement options



**WARNING:**  
The damages occurred during the turnstile transportation are not covered by the manufacturer's warranty liability.

### 2.3 Installation procedure.

The turnstile installation procedure is as follows:

- 1) Damages to be fixed (picture to be taken, damage report to be made).
- 2) The turnstile to be unpacked and inspected for defects and damages as well as completeness to be checked according to the turnstile data sheet;



**WARNING:**

**When the turnstile damages are detected or in case of shortage of delivery installation work to be stopped and the turnstile supplier to be referred to.**

- 3) Turnstile dismantling and relocation:

The turnstile cabinet removal from pallet (See Fig.15).

The side door to be opened for provide access to fixation holes. The door is designed as a leaf with retainer.

- a) 2,5 mm diameter allen wrench to be inserted into the door retainer 2 (View 1) at the upper part of the turnstile;
- b) The door 1 to be taken off;
- c) Two screws at the bottom of the turnstile frame to be loosened and removed and the turnstile to be removed from pallet.

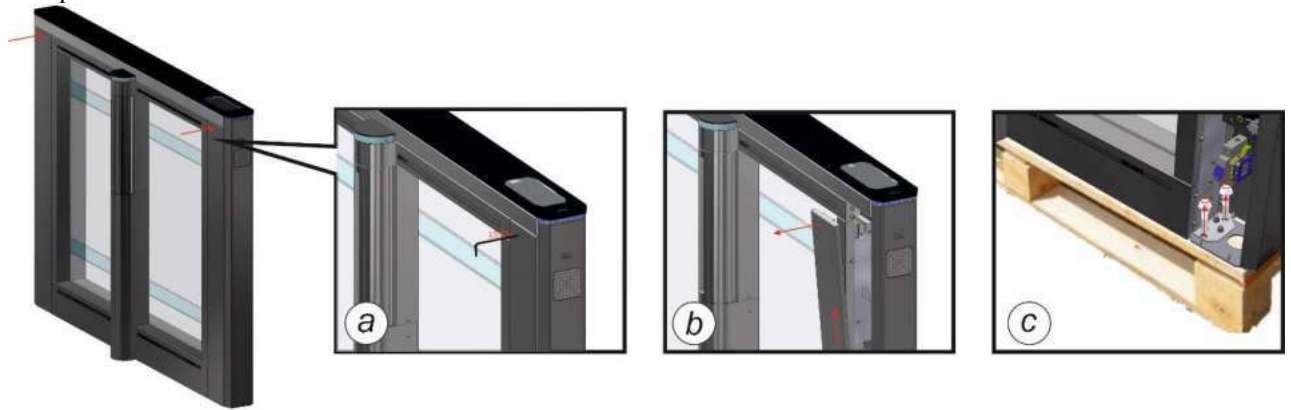


Fig.15– Turnstile dismantling and relocation

- 4) Make sure that the turnstile installation area is ready as follows:

- The area surface to be flat;
- Thickness of concrete blinding coat to be at least 150 mm.

- 5) The turnstile fixation holes to be marked on the area surface according to Figure 16. The turnstile it self can be used as a template.

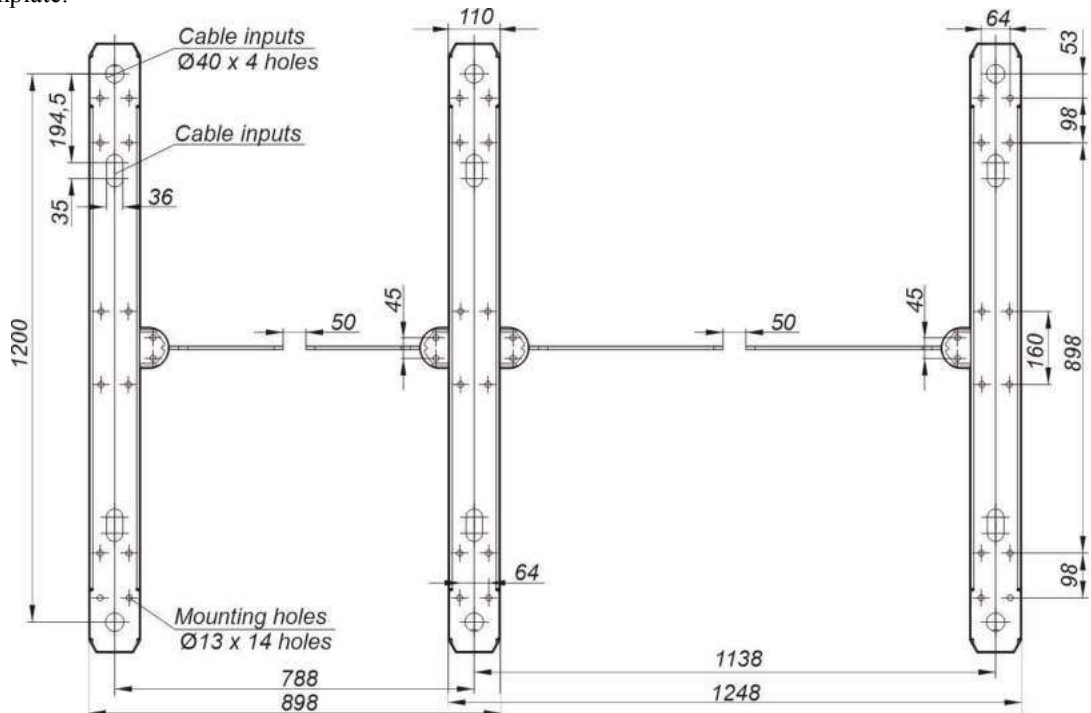


Fig. 16 – Installation dimensions of the "SWEEPER-S-HG-1" and "SWEEPER-S-HG-2" turnstiles set

- 6) The relevant holes to be drilled on the surface according to the marking due to diameter of anchors (12×120M10) for the turnstile fixation included in the scope of delivery.
- 7) Anchor jackets to be inserted into the prepared holes.



**WARNING:**

**The turnstile is fixed by means of Redibolt (with jacket and screw) included in scope of delivery. The turnstile installation and fixation to be performed only after all electric cables are pulled.**

- 8) The following cables to be run to the turnstile installation site:
  - Power supply cable 230 V ~;
  - Control desk link cable;
  - Access Control System (ACS) connection cables, if available;
  - Cables between cabinets (*Figure 14*);
 Cables to be run in corrugated or metal pipes.

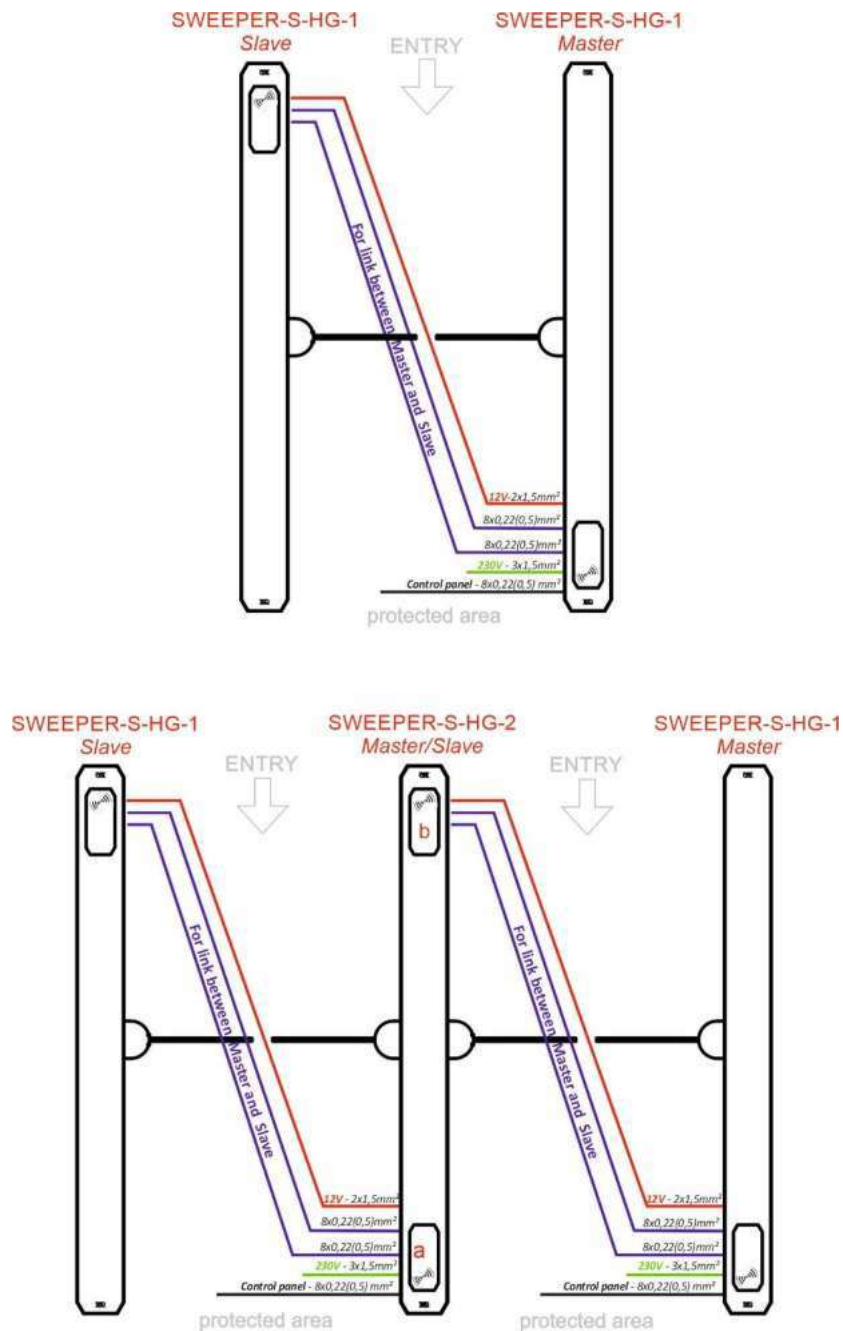


Fig. 17 – General view of connection between cabinets



**IMPORTANT!**  
Cabinets are linked by by control line optical sensor system requiring accurate positioning of cabinets. The relative position of cabinets and vertical position of the turnstile to be respected.

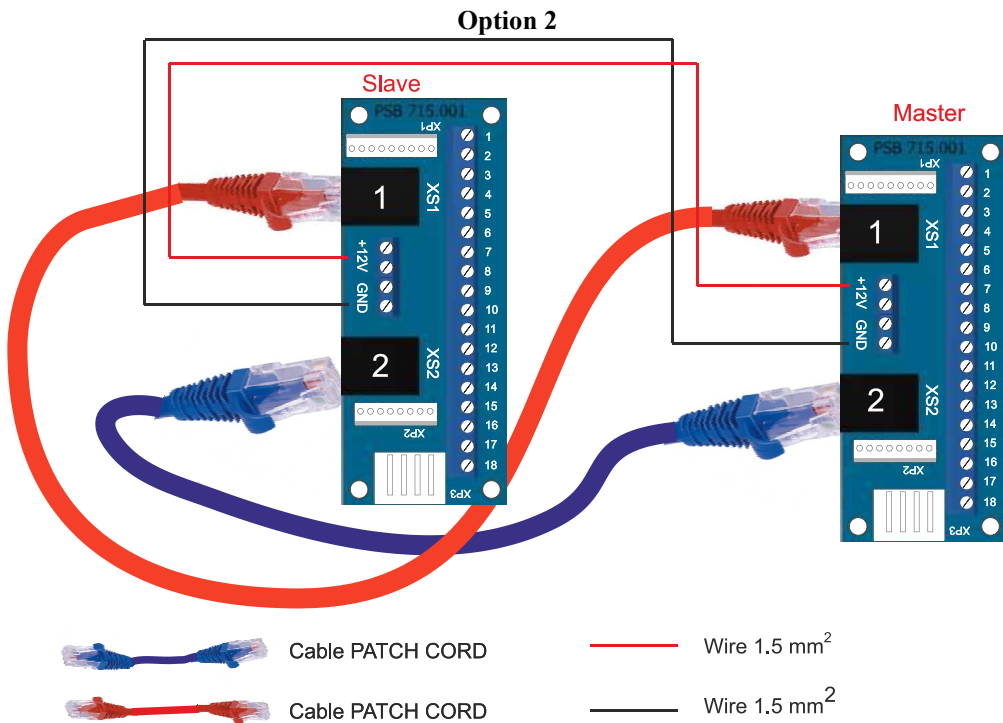
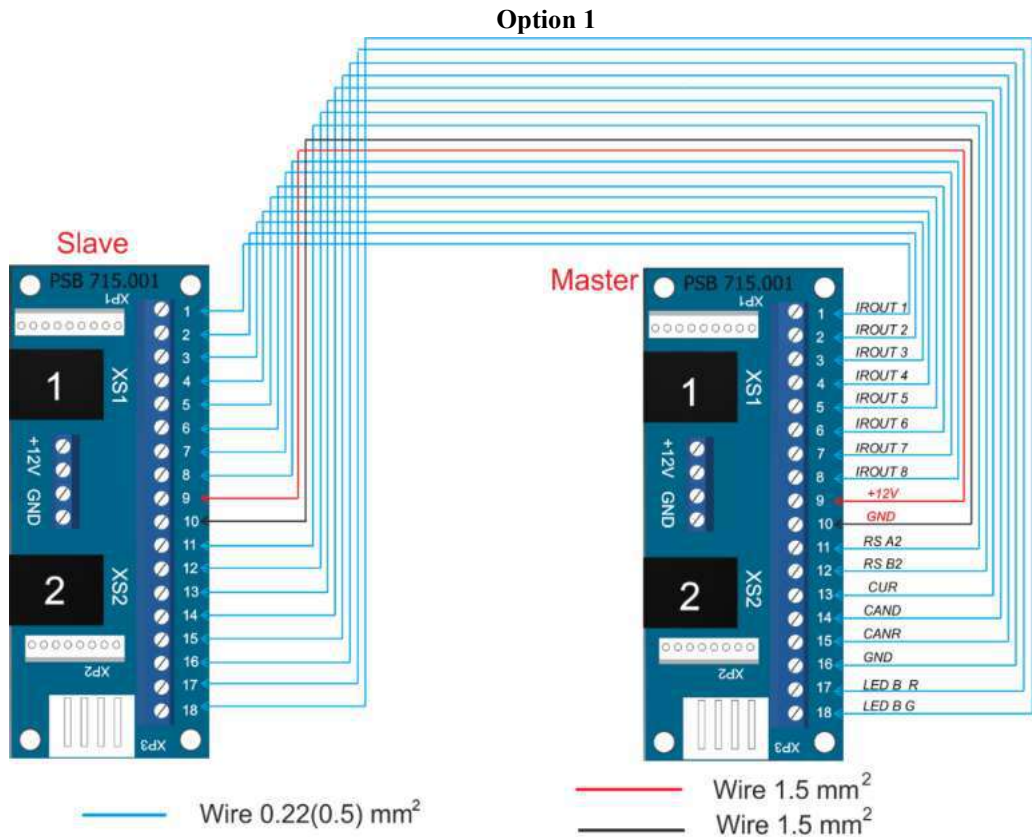


Fig. 18 – Options of cable connection between cabinets Master and Slave

9) The length of cable free ends to be at least 1 m to provide their entry, termination and connection to the relevant terminals in the turnstile post.

10) The cable outlet location to be aligned with the hole on the turnstile mounting plate (Fig.16).

11) The turnstile to be installed upright at the prepared location.

To provide access to fixation holes and terminal blocks from both sides of cabinet it is required to

- 1 The side door to be opened with allen key (see Fig.19-20);
  - 2 the solid glass top lid to be removed (see more Fig.20);
  - 3 cables to be pulled through available service hole in the turnstile rack bottom end part by reclining the turnstile;
  - 4 align fixation holes at the turnstile bottom plate with the prepared surface holes according to the marking shown in Fig.16; The turnstile to be fixed by means of anchors included in the scope of delivery;
  - 5 install a reader if needed (see Fig.23);
  - 6 the glass leaves to be fixed to shaft with glassholders use 4 pcs M6x30 DIN 7991;
- Finally, the top lid and side door to be installed and fix.

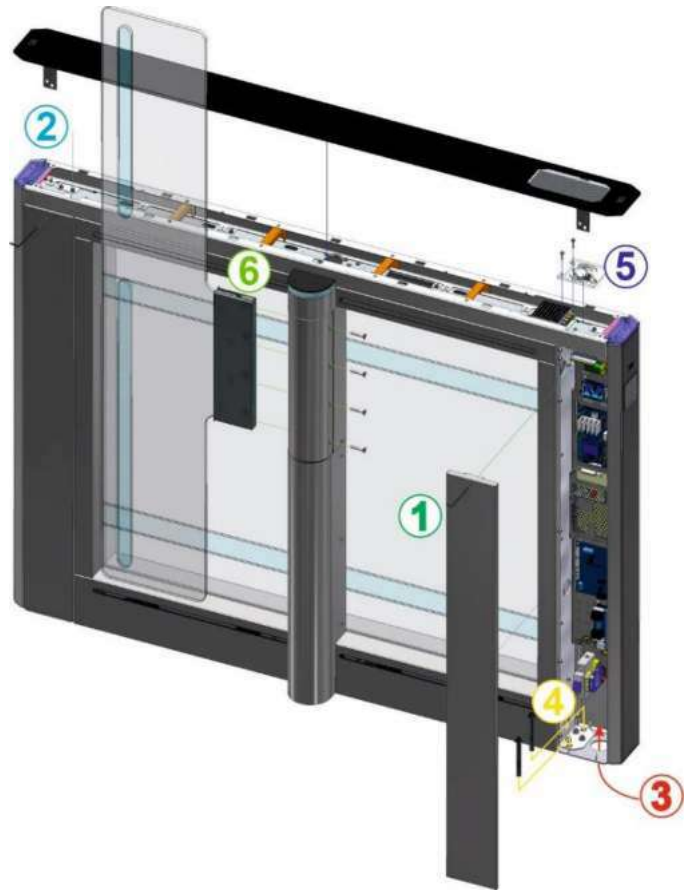


Fig. 19 – General view of the turnstile cabinet installation

**12) Removing the solid glass top**

To access the installation of readers and other turnstile «Sweeper-S-HG» settings it is required to do the following:

1. remove the both side doors of the turnstile cabinet by loosening the screws using the allen key
2. The glass top should be moved along the turnstile cabinet by 10-12 mm
3. The glass top should be lifted.

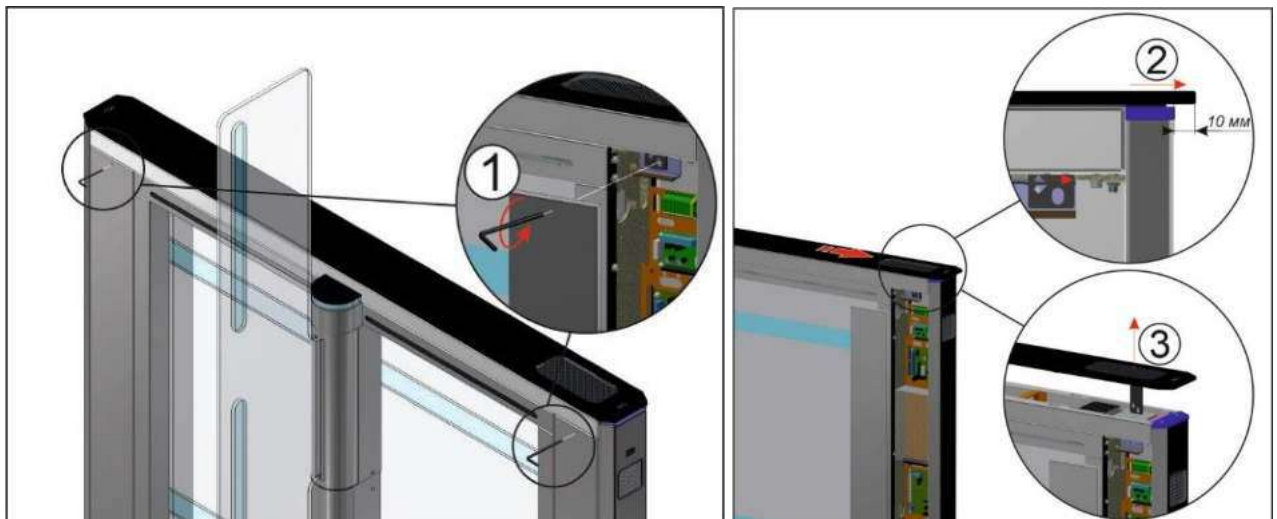


Fig.20 –Disassembly of glass top lid

After the performed work, the details of the turnstile should be put in the previous position in the reverse order and be fixed using the allen key.

13) Removing the cover of the turnstile indication (Fig.21):

1. Unscrew screws 2 pcs. M3x6 on the display cover, while the leaf must be open (position 90°)
2. Pull the cover aside

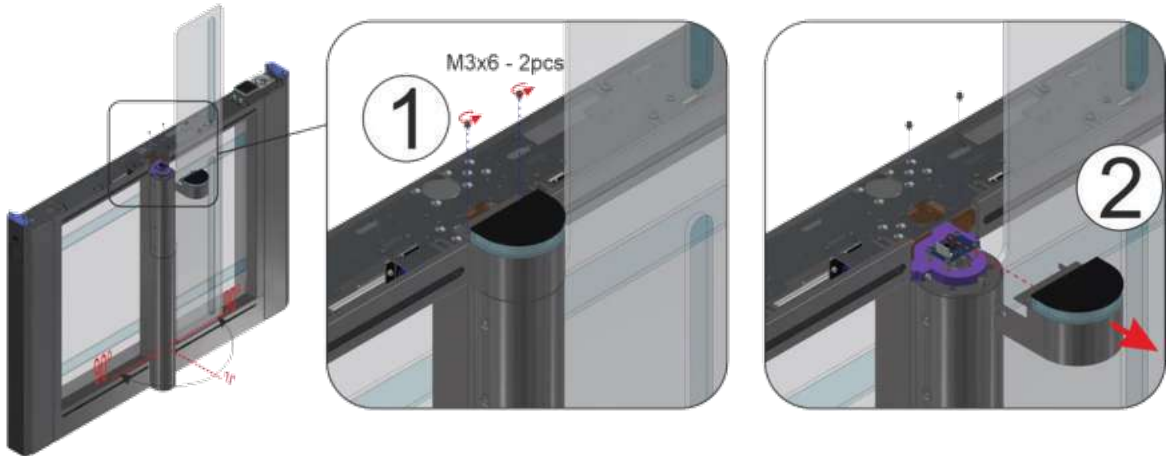


Fig.21 – Removing the turnstile indication cover

After the performed work, the details of the turnstile should be put in the previous position in the reverse order and be fixed using the allen key

14) Turnstile connection:

- a) Power supply cable ~220 V to be connected (Fig.22):
  - Phase L to be connected to the circuit breaker;
  - Neutral (N) to be connected to terminal ~220V(N);
  - Earth (PE) to be connected to earthing terminal (PE).
- b) Control desk link cable to be connected to terminals (Fig.23):
  - **P (Power)** – control desk power supply +12V;
  - **G (GND)** – common wire of control desk;
  - **A (RSA)** – RSA wire of control desk link;
  - **B (RSB)** – RSB wire of control desk link;
- c) The turnstile to be earthed, power supply cable to be connected the turnstile according to the wiring diagrams (See Annex C).
- d) Proximity card readers to be installed, if access control system (ACS) is available (Fig.23).

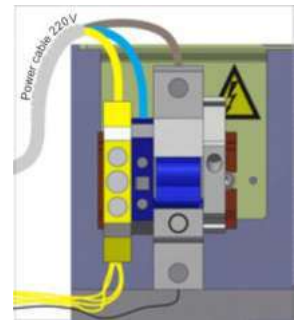


Fig.22– Connection of power supply cable

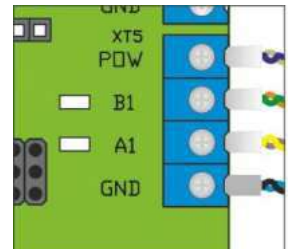


Fig.23 – Connection the communication cable with control panel to terminals

15) Installation of proximity card reader, if access control system (ACS)

- 1 – The turnstile glass top lid to be removed (Fig.24);
- 2 – Screws to be unscrewed and acrilight to be removed;
- 3 – Maximum size of proximity card reader to be installed not more than 80x80x25 mm;

Acrilight to be fixed with screws in previous position (view 7);

The turnstile glass top lid and side doors to be installed and fixed in previous position.

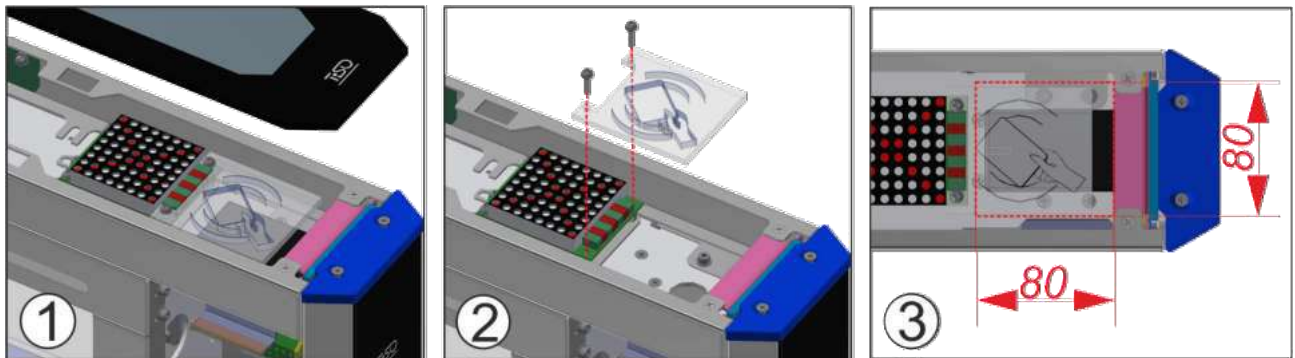


Fig.24 - Installation of proximity card reader

## 2.4 Preparation for use

### 2.4.1 Commissioning guidelines

Prior to the turnstile energization:

- 1) make sure of proper connection and good condition of all connecting cables;
- 2) clear the turnstile leaf swing area from foreign particles.

When mains cable of power supply unit is connected to the network the turnstile operating mechanism is energized: leaves are locked from swinging in both directions barring access.

The turnstile is put in initial state: Entry and Exit LED display is blue.

The turnstile performance to be checked at least 10 times in both directions upon generation of the appropriate opening command (entry, exit).

### 2.4.2 Required inspections

2.4.2.1 When the turnstile is commissioned it is necessary to perform the inspections specified in Table 8. During inspections the wiring diagram according to Appendix C and the control panel according to Appendix B to be used.

Table 8

<i>Operation Mode</i>	<i>Mode Setting</i>	<i>LED display</i>	<i>Functional check</i>
<i>1</i>	<i>2</i>	<i>3</i>	
1. Turnstile is closed in both directions (initial state)	–	Blue LED brightness is changed. Glass partition blue backlight is lit	Make sure that swing leaves can't be rotated in either direction
2. Single access in one direction	"SINGLE" button to be pushed for access in chosen direction («A» or «B»)	Green arrow of authorized single access in chosen direction is lit and blue LED brightness is changed in opposite direction. Glass partition backlight is lit green	Swing leaves are rotated at 90° in the intended direction
3. Single access in both directions	Both "SINGLE" buttons to be pushed for access in both directions («A» and «B»)	Green arrows of authorized single access in both directions are lit. Glass partition backlight is lit green	Swing leaves are rotated at 90° in the intended direction
4. Free access in one direction	"FREE" button to be pushed for access in chosen direction («A» or «B»)	Green arrow of authorized free access in chosen direction is lit and blue LED display is lit in opposite direction	Swing leaves are rotated at 90° in the intended direction
5. Free access in both directions	Both "FREE" buttons to be pushed for access in both directions («A» and «B»)	Green arrows of authorized free access in both directions are lit	Swing leaves are rotated at 90° in the intended direction
6. Single access in one direction and free access in opposite direction	"SINGLE" button to be pushed for access in chosen direction («A» or «B») and "FREE" button to be pushed for access in opposite direction	Green arrow of authorized single access in chosen direction is lit and green arrow of authorized free access in opposite direction is lit	Swing leaves are rotated at 90° in the intended direction
7. Single access in one direction and locked access in opposite direction	"SINGLE" button to be pushed for access in chosen direction («A» or «B») and "LOCK" button to be pushed to lock access in opposite direction	Green arrow of authorized single access in chosen direction is lit and red LED display of locked access direction is lit	Swing leaves are rotated at 90° in the intended direction
8. Free access in one direction and locked access in opposite direction	"FREE" button to be pushed for access in chosen direction («A» or «B») and "LOCK" button to be pushed to lock access in opposite direction	Green arrow of authorized free access in chosen direction is lit and red LED display of locked access direction is lit	Make sure that swing leaves are rotated at 90° in the intended direction.

Continuation of table 8

1	2	3	4
9. Locked access in one direction	"LOCK" button to be pushed to lock access in chosen direction ("A" or "B")*	Red LED of locked access in one chosen direction is lit	Make sure that swing leafs are locked
10. Locked access in both directions	Both "LOCK" buttons to be pushed to lock access in both directions ("A" and "B")**	Red LED of locked access in both directions is lit	Make sure that swing leafs can't be rotated in either direction
11. Activation of "panic" mode	"PANIC" button to be pushed and hold within at least 7 sec.**	Green arrows of authorized free access in both directions are lit	Swing leafs are opened in different directions
12 Deactivation of antipanic device	"PANIC" button to be pushed	Blue LED brightness is changed. Glass partition blue backlight is lit	Make sure that swing leafs can't be rotated in either direction
<p>* In this case other control desk buttons of single and free access in chosen direction are locked.  ** In this case all control desk buttons of single and free access in both directions are locked.</p>			

2.4.2.2 After all checks are completed and satisfactory results are achieved, the turnstile is ready for long-term operation.

## 2.5 Contingency actions

For emergency human escape (in case of fire, acts of God etc.) and enabling free access the turnstile to be unlocked from control desk by issuing the relevant command. For full opening of access way to be used "PANIC" button on control desk to be pushed and held for more than 7 seconds or a signal is sent to the relevant input (in3) of the turnstile controller.

In case of mains power failure the turnstile automatically switches to power supply from backup battery (optional).

If the mains power is not recovered and battery is discharged, the glass leaves are unlocked (fail safe) and to be swung aside manually to create free access way.

### 3 MAINTENANCE

#### 3.1 General guidelines

3.1.1 Commissioning and subsequent maintenance of the turnstile to be performed only by the staff to be in charge of the turnstile.

3.1.2 The turnstile to be serviced only by the staff having the relevant electrical safety qualification level according to the national requirements.

3.1.3 The turnstile to be installed and operated only by the qualified safety briefed staff having the relevant class of permit to work with electrical facilities with voltage up to 1000V, being aware of this OM, the turnstile design and principle of operation.

#### 3.2 Safety Measures

3.2.1 During the turnstile maintenance the relevant safety measures to be observed according to p.2.1 to be observed 2.1.

3.2.2 When instrumentations are prepared for operation it is necessary to strictly comply with the safety requirements specified in instrumentation instruction manuals.



**IS FORBIDDEN:  
TO USE DEFECTIVE APPLIANCES, TOOLS, FUSES INSTRUMENTATION THE  
SERVICE LIFE OF WHICH HAS EXPIRED.**

#### 3.3 Maintenance procedure

3.3.1 The turnstile maintenance includes preventive measures which are taken according to the established frequency to maintain the turnstile in operational condition, decreasing of component wearing and prevention of faults and malfunctions.

3.3.2 Daily and periodic maintenance of the turnstile are recommended.

Normally the daily maintenance is carried out before the beginning of operation or during operational timeout and includes visual inspection of the turnstile's housing and, if required, troubleshooting of mechanical damages, surface corrosion and contamination.



**IS FORBIDDEN:  
TO USE ABRASIVE AND CHEMICALLY ACTIVE SUBSTANCES DURING CLEANING  
OF CONTAMINATED EXTERNAL SURFACES OF THE TURNSTILE.**

The recommended stainless steel detergents are given in Table 9.

Table 9

<i>Detergent description</i>	<i>Manufacturer</i>	<i>Country of origin</i>
Stainless steel cleaning spray «Stainless Steel Cleaner And Polish»	3M	Group of European companies
Cleaning fluid «Well Done»	Well Done	Hungary
Stainless steel products and other metals cleaner "XANTO STEEL 3in1"	XANTO	United Kingdom
Foam«Dr.BECKMANN»	Dr.Beckmann	Germany
Cleaning solution «Reinex Edelstahlreiniger»	Reinex	Germany
«Stainless steel cleaner»	Onish	United Kingdom

3.3.3 Periodic maintenance to be performed at least twice year and includes as follows:

- visual inspection of the turnstile's housing, control mechanism and other components for absence of external damages (corrosion, warps and other mechanical defects and pollutions);
- visual inspection of connecting, network and earthing cable condition;
- verification of the turnstile performance;
- during manual control in the modes specified in Table 8 or when identification cards are used;
- verification of reliability of the turnstile screw joints and earthing connections.

## 4 ROUTINE MAINTENANCE

### 4.1 General guidelines

Minor malfunctions of the turnstile are listed in *Table 10* and to be remedied by the customer. More complicated malfunctions to be remedied by the manufacturer's representative.



**IMPORTANT:  
INSPECTION, CLEANING, REPAIR OF THE TURNSTILE COMPONENTS TO BE PERFORMED ONLY AFTER THE TURNSTILE DEENERGIZATION!**

### 4.2 Possible malfunctions

Possible malfunctions of the turnstile and their remedies are listed in Table 10.

*Table 10 - Possible malfunctions*

<i>Malfunction</i>	<i>Possible cause</i>	<i>Solution</i>
<i>1</i>	<i>2</i>	<i>3</i>
The turnstile does not work after power ON	<ul style="list-style-type: none"> <li>• Lack of AC power.</li> <li>• The power cable is not connected.</li> <li>• Power supply unit is out of order.</li> <li>• Circuit breaker switched off inside the turnstile</li> </ul>	<ul style="list-style-type: none"> <li>✓ AC power to be recovered.</li> <li>✓ Power supply cable to be connected.</li> <li>✓ Power supply unit to be replaced.</li> <li>✓ Switch on the power supply circuit breaker</li> </ul>
Leaves do not open after giving a command from the ACS or a command from a wired 7-button control panel	<ul style="list-style-type: none"> <li>• Turnstile does not obtain permission signal from ACS</li> <li>• No communication with the control panel</li> <li>• There are critical errors on motor controllers that have been identified by the self-diagnosis system.</li> </ul>	<ul style="list-style-type: none"> <li>✓ Check the presence of a trigger signal from the ACS</li> <li>✓ Check the correct connection of the wired 7-button control panel</li> <li>✓ Check and eliminate the causes of occurrence critical errors, that have been identified by the self-diagnosis system of the motor controller</li> </ul>
Leaf knocks at the end of movement, when opening or closing.	<ul style="list-style-type: none"> <li>• Leaf isn't calibrated correctly, zero point isn't adjusted.</li> <li>• There are critical errors on motor controllers that have been identified by the self-diagnosis system.</li> <li>• The mechanical stoppers of the mechanism are not adjusted</li> </ul>	<ul style="list-style-type: none"> <li>✓ Follow set zero leaf position setting procedure (see point 4.3)</li> <li>✓ Check and eliminate the causes of occurrence critical errors, that have been identified by the self-diagnosis system of the motor controller</li> <li>✓ Adjust the mechanical stoppers, after that follow set zero leaf position setting procedure (see point 4.3)</li> </ul>
Control panel sound alarm and blinking with red indicator of bad "communication" signal	<ul style="list-style-type: none"> <li>• Control panel don't have communication with main controller</li> </ul>	<ul style="list-style-type: none"> <li>✓ Check wires for damages and check wire connection of the control panel to the main controller (AUIA.206)</li> <li>✓ Check the control panel for functionality</li> </ul>
LED display is out of order	<ul style="list-style-type: none"> <li>• No contact with controller</li> <li>• Wires are damaged</li> <li>• LED indicator is out of order</li> </ul>	<ul style="list-style-type: none"> <li>✓ Check wires for damages and check inter-cabinet connection wires.</li> <li>✓ Check the indications wires for damages</li> <li>✓ Check the LED indications boards</li> <li>✓ LED indication board to be replaced.</li> </ul>
Control panel sound alarm (error) and continuously lit red indication of turnstile	<ul style="list-style-type: none"> <li>• Bad connection between the two cabinets of turnstile</li> <li>• Infrared sensors don't see each other.</li> <li>• Infrared sensors are out of order.</li> </ul>	<ul style="list-style-type: none"> <li>✓ Check wires for damages and check inter-cabinet connection wires.</li> <li>✓ Protective plexiglass of the passage sensors to be cleaned from dust dirt</li> <li>✓ Check infrared sensors for functionality.</li> <li>✓ Infrared sensors to be replaced if they are out of order.</li> </ul>
Leaf stays in semi-open position	<ul style="list-style-type: none"> <li>• Mechanism jamming</li> <li>• There are critical errors on motor controllers that have been identified by the self-diagnosis system.</li> </ul>	<ul style="list-style-type: none"> <li>✓ Leaf opening manually to be checked with turned off power supply.</li> <li>✓ Check the mechanism for jamming and backlash</li> <li>✓ Check the zero position setting</li> <li>✓ Check and eliminate the causes of occurrence critical errors, that have been identified by the self-diagnosis system of the motor controller</li> </ul>

Continuation of table 10

1	2	3
Leaf remains open	<ul style="list-style-type: none"> <li>• Mechanism jamming</li> <li>• “FREE ACCESS” mode is set.</li> <li>• Infrared sensors are out of order.</li> <li>• There are critical errors on motor controllers that have been identified by the self-diagnosis system.</li> </ul>	<ul style="list-style-type: none"> <li>✓ Leaf opening manually to be checked with turned off power supply.</li> <li>✓ Mechanism components to be checked</li> <li>✓ "Free access" mode to be turned off</li> <li>✓ Sensor adjustment to be checked.</li> <li>✓ Check and eliminate the causes of occurrence critical errors, that have been identified by the self-diagnosis system of the motor controller</li> </ul>
Leaf slow opening	<ul style="list-style-type: none"> <li>• Mechanism jamming.</li> <li>• Infrared sensors don't see each other.</li> <li>• Infrared sensors are out of order.</li> <li>• There are critical errors or was defined obstacles on motor controllers that have been identified by the self-diagnosis system.</li> <li>• Turnstile type or leaves size selected incorrectly on motor controllers</li> </ul>	<ul style="list-style-type: none"> <li>✓ Leaf opening manually to be checked with turned off power supply.</li> <li>✓ Check the mechanism for jamming and backlash</li> <li>✓ Check infrared sensors for functionality.</li> <li>✓ Check and eliminate the causes of occurrence critical errors, that have been identified by the self-diagnosis system of the motor controller</li> <li>✓ Obstacle detection sensitivity settings to be checked</li> <li>✓ Check the correspondence of the type of the turnstile and the leaves size parameters at the motor controllers settings.</li> </ul>

### 4.3. Adjustment of the zero position of leaf for “Sweeper-S-HG”



- For “Sweeper-S-HG” turnstiles, the zero position can be at point **CLOSE (0°)**. For turnstiles of this type, the zero position is set manually by the user during working area searching.
- The working area search procedure can be launched: from the Master or Slave cabinet controllers and from any turnstile mode, at any menu page.;
- For a more detailed description of the turnstile operation settings, please refer to the manual “AUIA.401.00.00-01 . QuickStart”

The turnstile leaf initialization procedure can be started in two ways:

**Option 1: (with PCB 730.004.01 fig.25)**

- Press and hold the **ZERO (1)** button on the PCB.730.004.01 controller of the leaf magnetic sensor. The turnstile will go into «**OFF**» mode and a message (2) «*gate sensor zero-button is pressed*» will appear on the display of the AUIA.401.00.00-01 controller.
- While holding the **ZERO (1)** button manually set the zero point of both leaves of Master and Slave cabinets (**CLOSE position (3)**)
- After releasing the **ZERO (1)** button the turnstile will save the user-set point as zero (**CLOSE position (3)**).
- The controller will start the working area search procedure and automatically determine the minimum and maximum of working area.
- Following a successful procedure, The controller will display a message for a few seconds «*The workspace search was successful*» and then switch to the home page:
- Turnstile is ready for work.

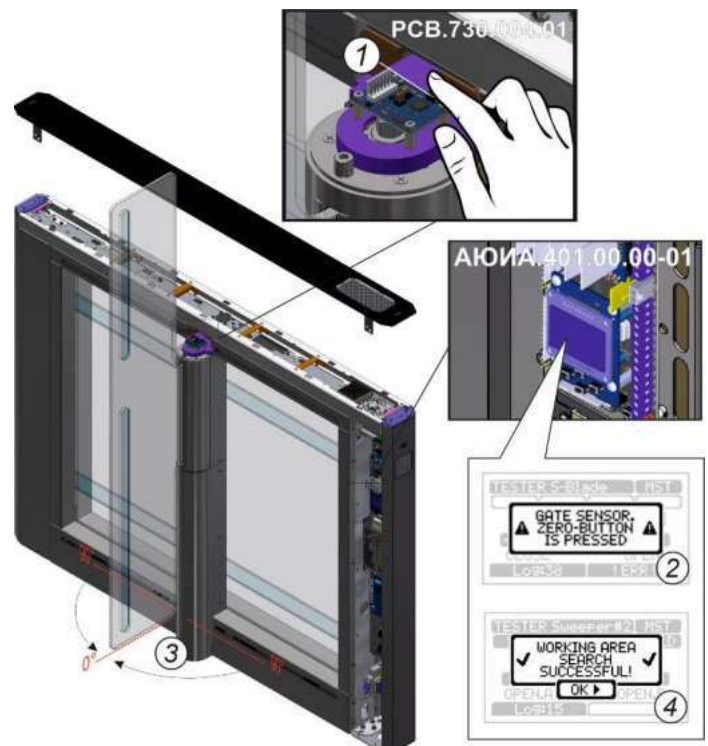


Fig.25 –Adjustment of the leaf zero position using the "zero" button

### Option II (with AUIA.401.00.00-01 fig.26)

- Run the menu holding for 2 seconds the lower button (I) on the controller AUIA.401.00.00-01 and choose “Calibration”->”GateZeroSet” controller. If you request a calibration procedure, the turnstile will go to “OFF” mode.
- Set the zero point of both leaves of Master and Slave cabinets manually (CLOSE position (3))
- Confirm the start of working area search procedure by pressing “YES” (2) on the AUIA.401.00.00-01 controller display.
- The controller will save the user-set point as zero (CLOSE position (2)) and automatically determine the minimum and maximum of working area.
- Following a successful procedure, The controller will display a message for a few seconds «The workspace search was successful» and then switch to the home page:
- Turnstile is ready for work.

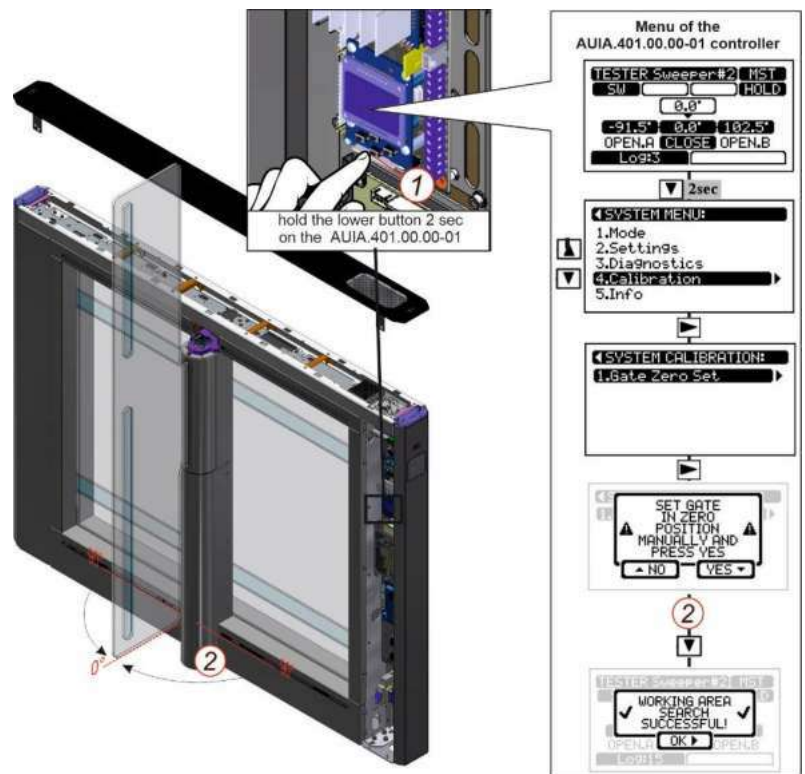


Fig.26 – Adjustment of the leaf zero position using the menu of controller AUIA.401.00.00-01

## 5 TRANSPORTATION AND STORAGE

### 5.1 Turnstile storage

It is forbidden to subject the turnstile to jerks and impacts during storage. Transportation trolleys to be used for handling of the turnstile. In storage facilities there should not be aggressive gases and vapours causing metal corrosion. Air temperature during storage should not be below +5 °C and above +40° C and relative air humidity should not be more than 80% at the temperature 20° C.

### 5.2 Turnstile transportation

The ready-to-install turnstile to be transported according to the transportation regulations related to the relevant mode of transport, such as:

- in railway or special containers;
- in closed vehicles;
- waterborne (in ship’s hold) .

Transportation on open platforms is allowed. In this case the packed turnstile should be covered with canvas. Air temperature during transportation should not be below -40°C and above +50°C.

After transportation or storage of the turnstile at negative temperatures or increased humidity the turnstile to be kept indoor with normal climatic conditions without original packing within 12 hours before commissioning:

- 1) ambient temperature: + 15°C to +35°C;
- 2) relative humidity: 45% to 80 %;
- 3) atmospheric pressure: 84,0 to 106,7kPa (630-800 mm)

## 6 DISPOSAL

The turnstile design does not contain materials environmentally hostile and hazardous to health and special measures are not required for its disposal.

**Annex A1. Overall and installation dimensions of the “SWEEPER-S-HG-1” and “Sweeper-S-HG-2” type turnstile**

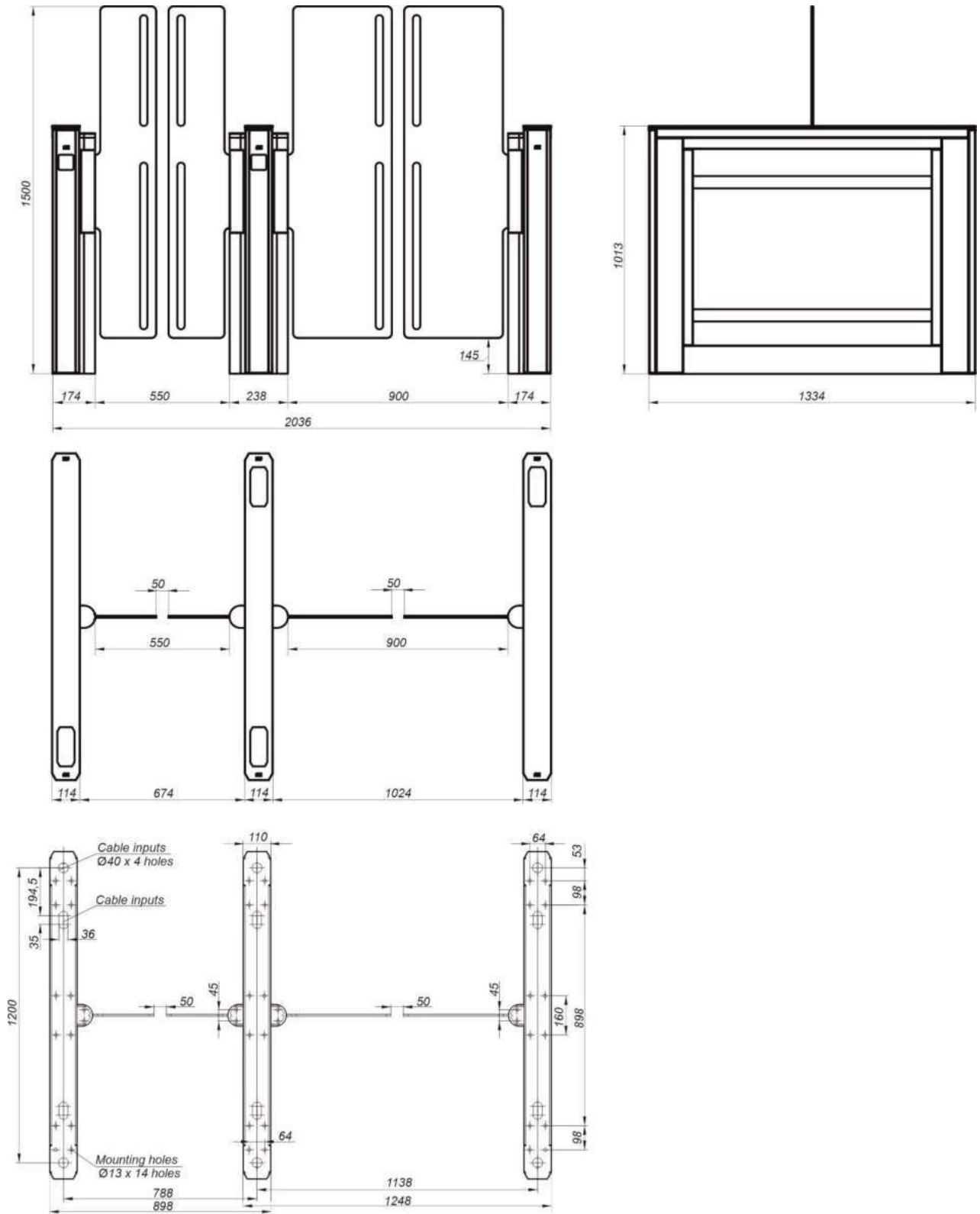


Figure A.1 – Installation dimensions of the single turnstile T3.KCD.XD\_/550/550

Annex B. Control desk and connection diagram

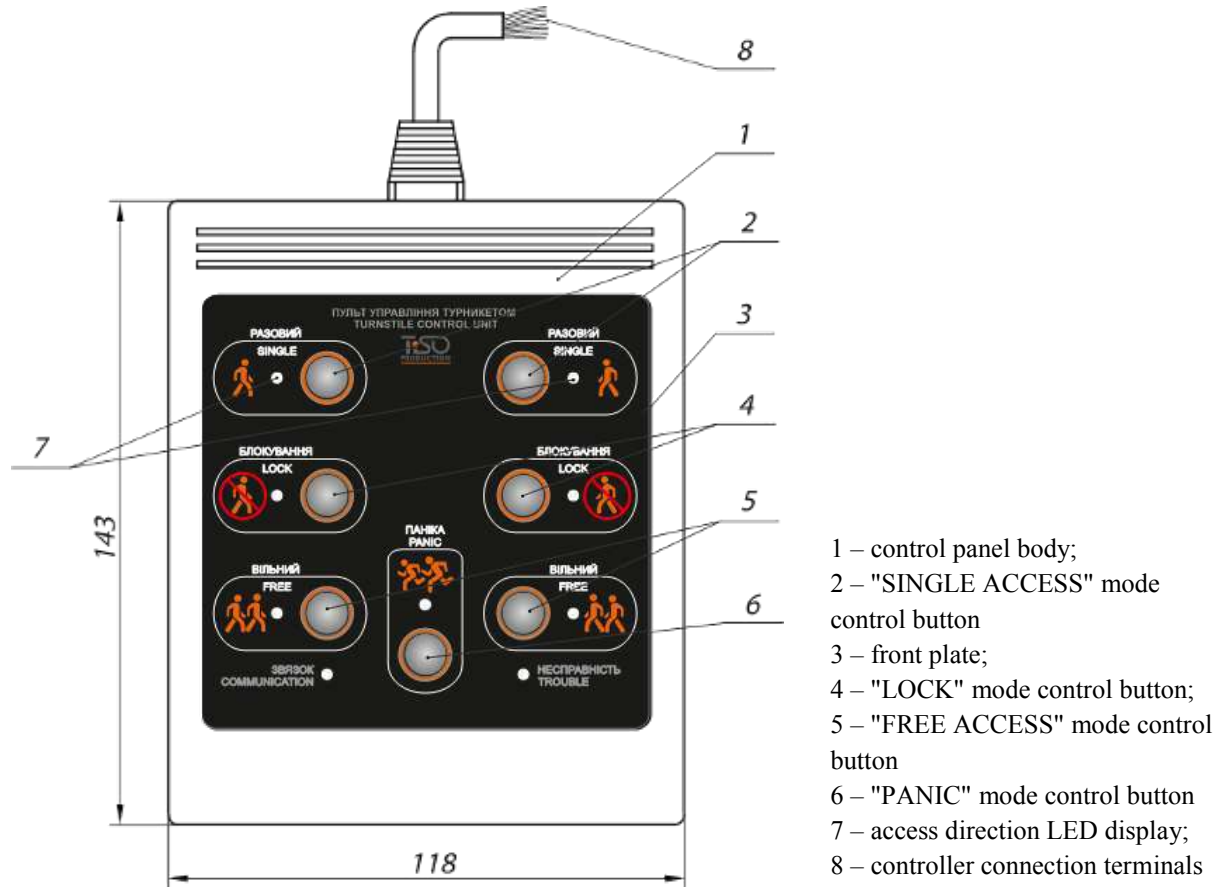


Fig. B.1 – Control panel AUIA.114.02.00.00

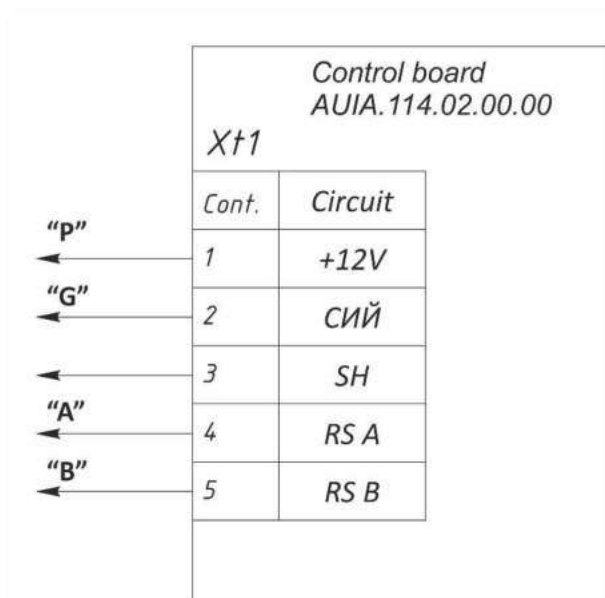
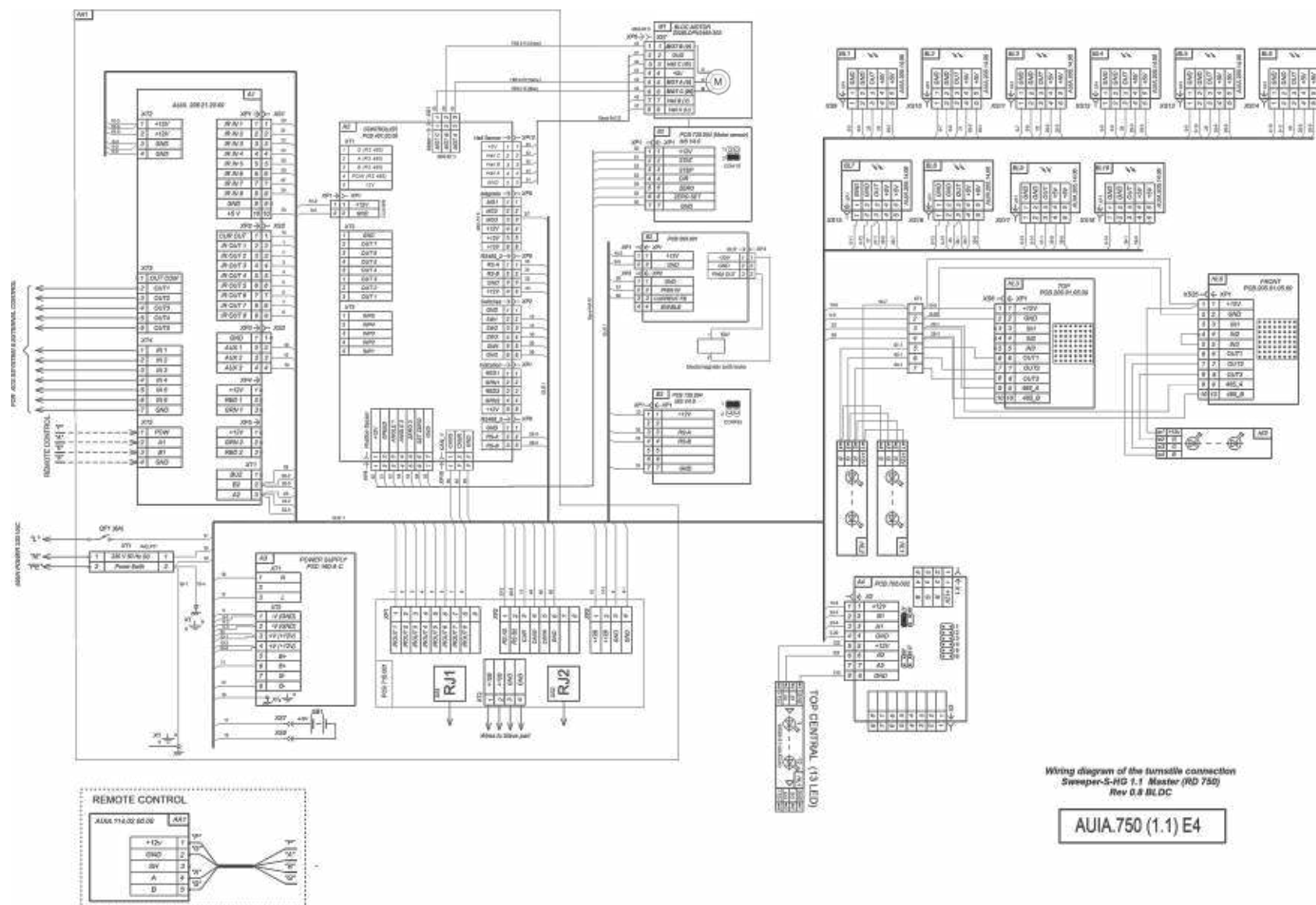
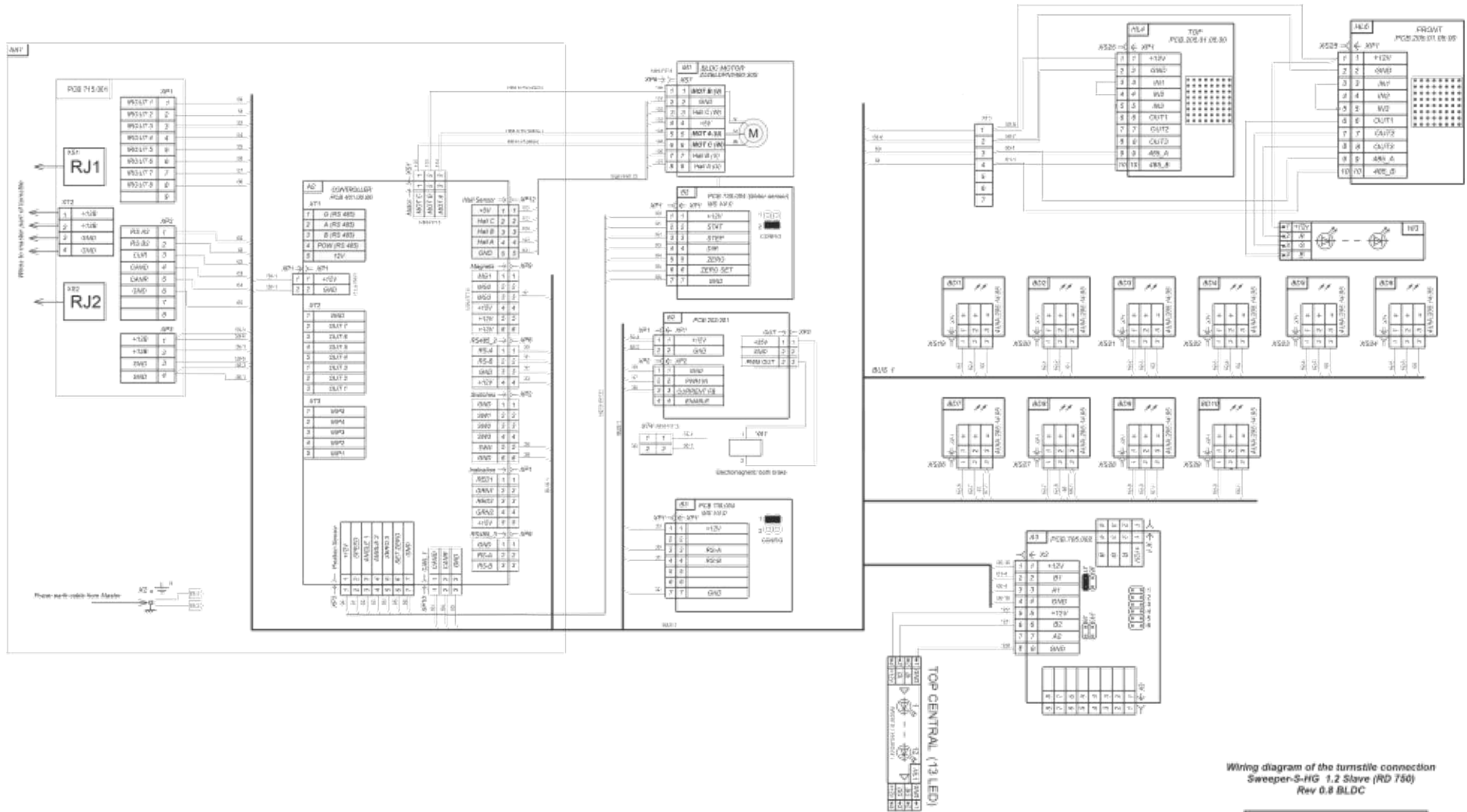


Fig. B.2 – Connection diagram of control panel AUIA.114.02.00.00

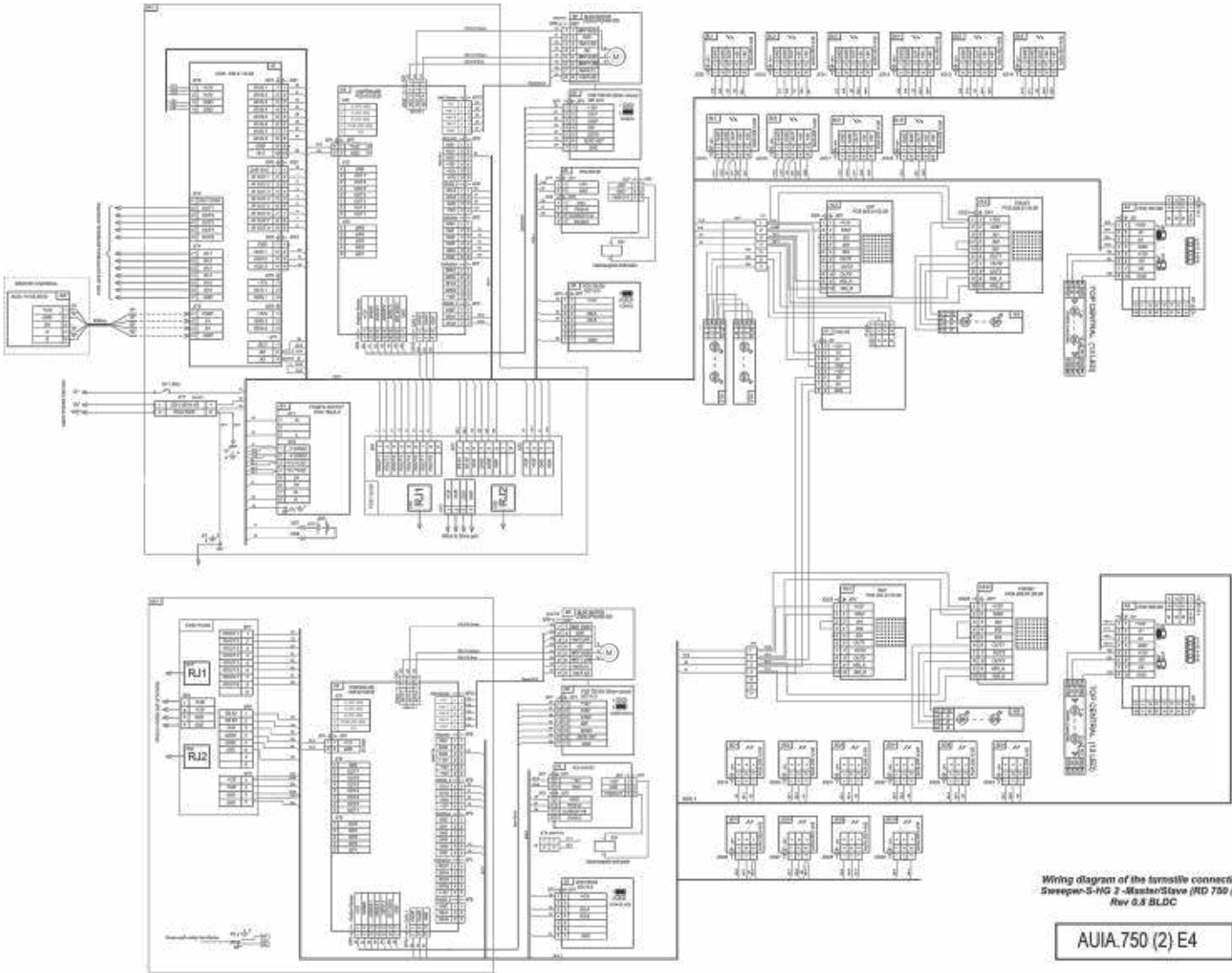
Annex C.1. Wiring diagram of the Sweeper-S-HG 1.1 Master (AUIA.750) rev 0.7



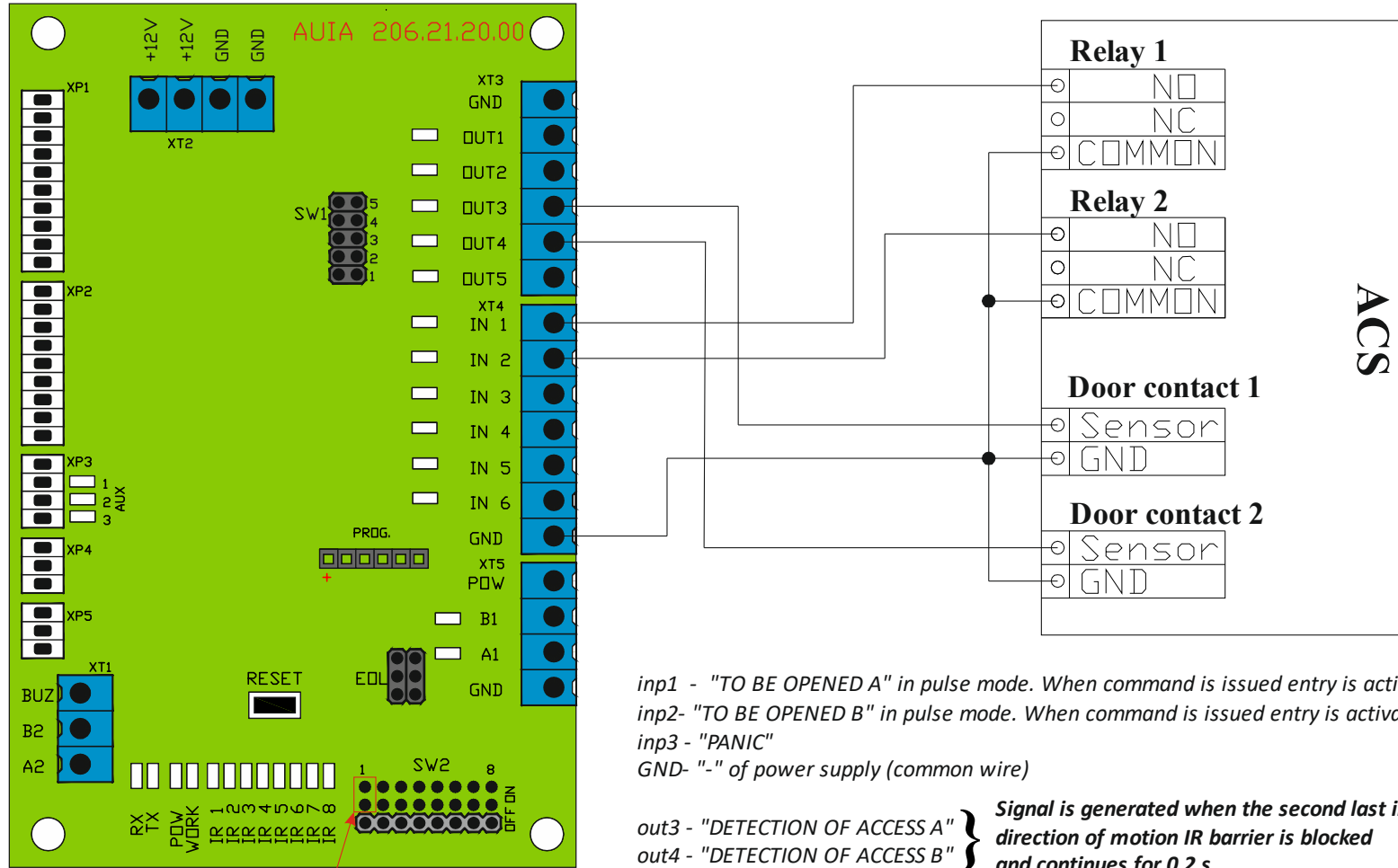
Annex C.2. Wiring diagram of the Sweeper-S-HG 1.2 BLDC Slave (AUIA.750) rev 0.7



Annex C.3. Wiring diagram of the Sweeper-S-HG 1.2 BLDC Slave (AUIA.750) rev 0.7



**Annex D.1. Diagram of the turnstile connection to access control system (ACS)**

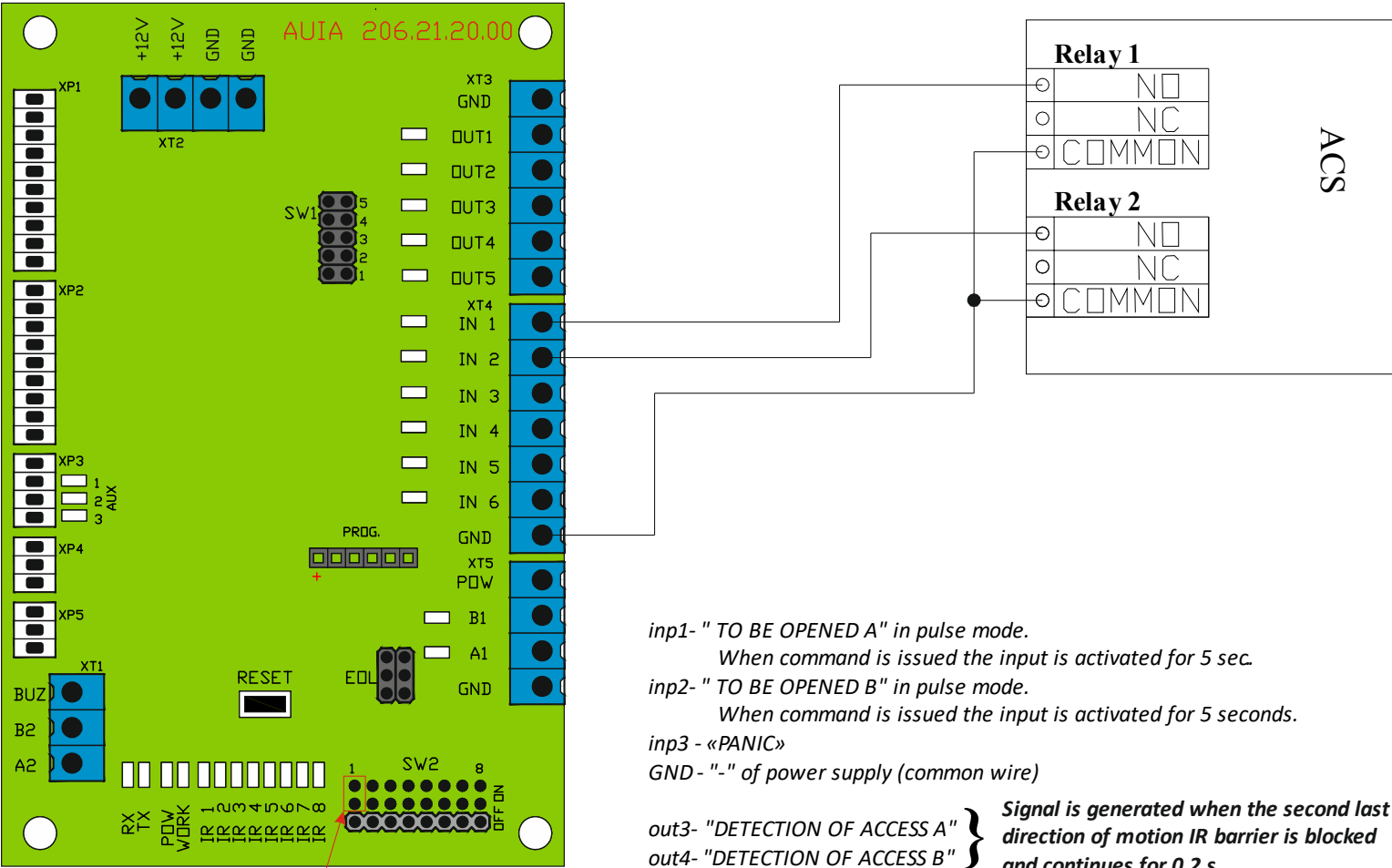


**IN1 and IN2 with 5 sec. delay**

*inp1 - "TO BE OPENED A" in pulse mode. When command is issued entry is activated for 5 sec*  
*inp2- "TO BE OPENED B" in pulse mode. When command is issued entry is activated for 5 sec.*  
*inp3 - "PANIC"*  
*GND- "-" of power supply (common wire)*

*out3 - "DETECTION OF ACCESS A" } Signal is generated when the second last in the*  
*out4 - "DETECTION OF ACCESS B" } direction of motion IR barrier is blocked*  
*and continues for 0,2 s*

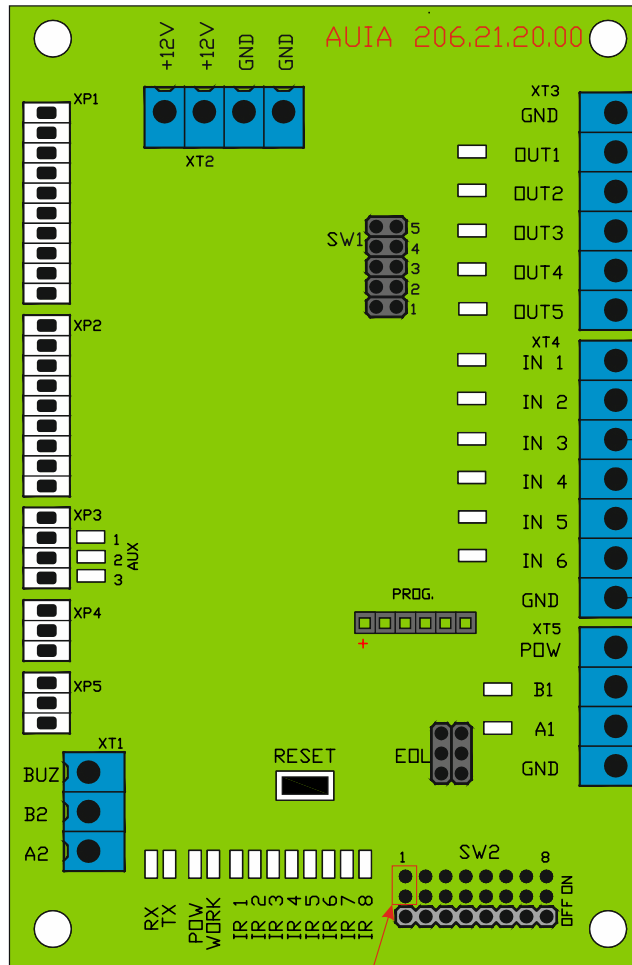
Annex D.2. Diagram of the turnstile connection to access control system (ACS)



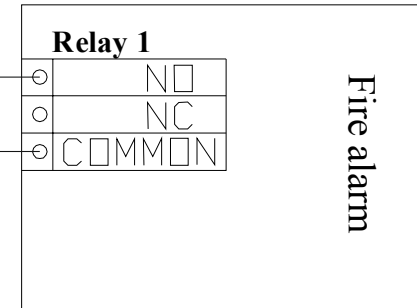
IN1 and IN2 with 5 sec. delay

- inp1*- " TO BE OPENED A" in pulse mode.  
When command is issued the input is activated for 5 sec.
- inp2*- " TO BE OPENED B" in pulse mode.  
When command is issued the input is activated for 5 seconds.
- inp3* - «PANIC»
- GND- "-" of power supply (common wire)
- out3*- "DETECTION OF ACCESS A" } *Signal is generated when the second last in the*  
*out4*- "DETECTION OF ACCESS B" } *direction of motion IR barrier is blocked*  
*and continues for 0,2 s*

Annex D.3. Diagram of the turnstile connection to fire alarm (FA)



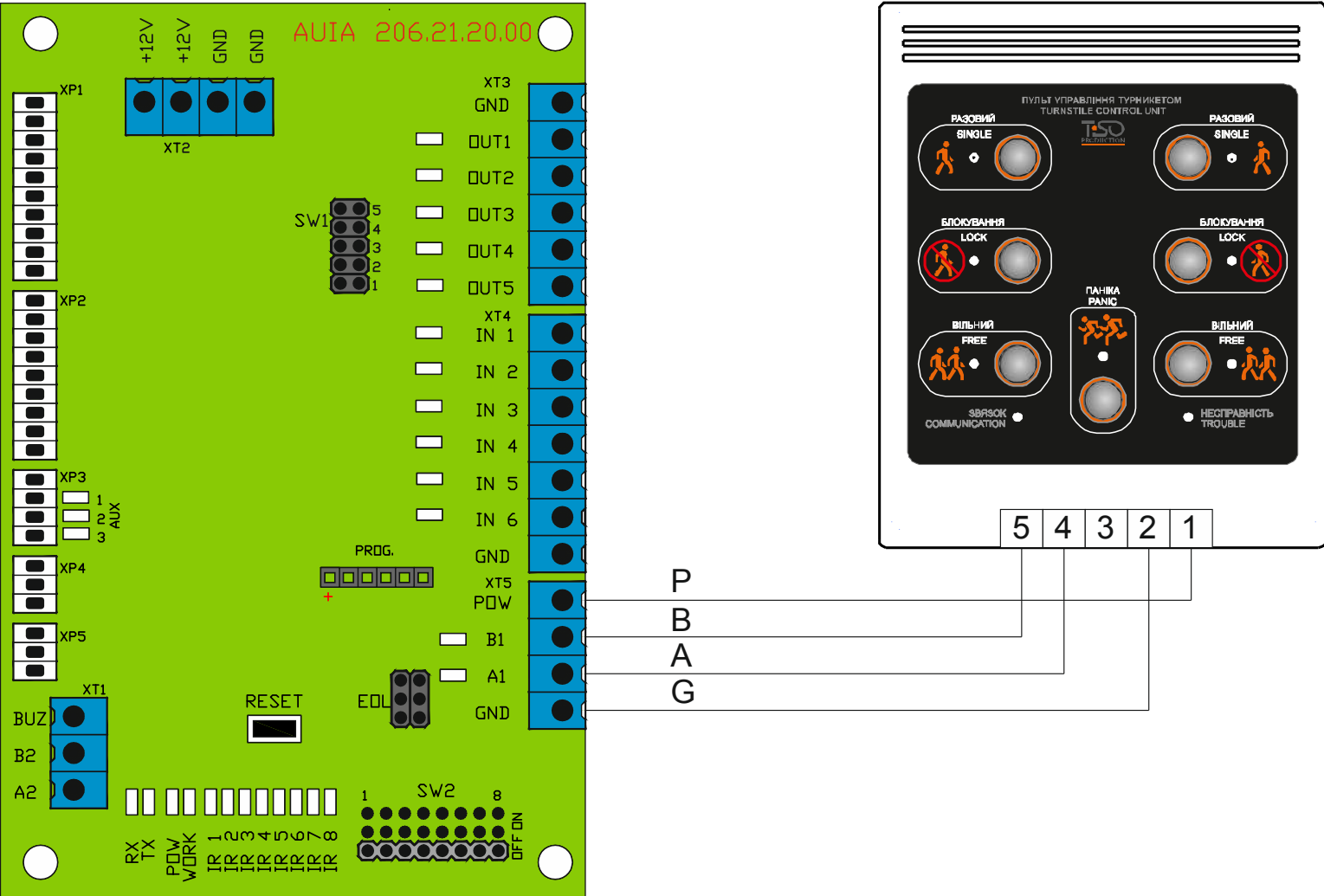
IN1 and IN2 with 5 sec. delay



- inp1- " TO BE OPENED A" in pulse mode. When command is issued the input is activated for 5 sec.*
- inp2- " TO BE OPENED B" in pulse mode. When command is issued the input is activated for 5 seconds.*
- inp3- «PANIC»*
- GND- "-" of power supply (common wire)*

- out3- "DETECTION OF ACCESS A"*
  - out4- "DETECTION OF ACCESS B"*
- } *Signal is generated when the second last in the direction of motion IR barrier is blocked and continues for 0,2 s*

Annex D.4. Diagram of the turnstile connection to control panel



Manufacturer:

**LLC TiSO-PRODUCTION**

14, Promyslova Street, Kyiv, 02088, Ukraine

Phone: +38 (044) 291-21-11

Tel./fax: +38 (044) 291-21-02

E-mail: [sales@tiso.global](mailto:sales@tiso.global)

WEB [www.tiso.global](http://www.tiso.global)

**SERVICE CENTER**

e-mail: [service1@tiso.global](mailto:service1@tiso.global)

Our equipment meets the requirements of European standards:

EN ISO 12100:2010, EN ISO 14118:2018, EN 60204-1:2018,

EN ISO 13857:2019, EN 61000-6-1:2007, EN 61000-6-3:2007/A1:2011/AC:2012

and meets the requirements of the following EU Directives:

2014/30/EU; 2014/35/EU, 2006/42/ EC

The manufacturer's quality management system is certified according to the international standard ISO 9001:2015 - Certificate № UA 18 / 819942484.

QR-code to be used to download the Operation Manual via Internet

